

EN

OPERATING MANUAL
LED CONSTRUCTION SITE
SPOTLIGHT



Table of contents

Notes regarding the operating manual..... 2

Safety 2

Information about the device..... 4

Transport and storage..... 5

Start-up..... 6

Operation 7

Available accessories..... 8

Errors and faults..... 8

Maintenance 8

Disposal 9

Notes regarding the operating manual

Symbols



Warning of electrical voltage

This symbol indicates dangers to the life and health of persons due to electrical voltage.



Warning of hot surface

This symbol indicates dangers to the life and health of persons due to hot surface.



Warning

This signal word indicates a hazard with an average risk level which, if not avoided, can result in serious injury or death.



Caution

This signal word indicates a hazard with a low risk level which, if not avoided, can result in minor or moderate injury.

Note

This signal word indicates important information (e.g. material damage), but does not indicate hazards.



Info

Information marked with this symbol helps you to carry out your tasks quickly and safely.



Follow the manual

Information marked with this symbol indicates that the operating manual must be observed.



Resistant service lights

Information marked with this symbol indicates that the product is shock-proof and durable.

You can download the current version of the operating manual and the EU declaration of conformity via the following link:



PWLS 10-50S



<https://hub.trotec.com/?id=46395>

Safety

Read this manual carefully before starting or using the device. Always store the manual in the immediate vicinity of the device or its site of use.



Warning

Read all safety warnings and all instructions.

Failure to follow the warnings and instructions may result in electric shock, fire and/or serious injury.

Save all warnings and instructions for future reference.

- Do not open the device housing. There is danger of a short circuit.
- Keep device away from open fire and hot surfaces and do not store or operate it in their vicinity.
- Do not pull the power cable directly out of the socket; always hold on to the mains plug itself.
- Do not leave the device running unattended.
- Insert the mains plug into a properly fused mains socket.
- Allow the device to cool down before transport and/or maintenance work.
- Do not use the device in aggressive atmosphere.
- Do not use the device in potentially explosive rooms or areas and do not install it there.
- Do not use the device with wet or damp hands.
- Do not use this device near bathtubs, shower trays, swimming pools or other water containers. Risk of electric shock!
- Do not expose the device to directly squirting water.
- This appliance is not a toy. Keep away from children and animals. Do not leave the device unattended during operation.
- Check the device for potential damage before each application. Do not use any defective devices or device parts.

- Let the device dry out after a wet clean. Do not operate it when wet.
- Do not under any circumstances use the device if you detect damages on the mains plug or power cable. If the power cable is damaged, it must be replaced by the manufacturer, its service agent or similarly qualified persons in order to avoid a hazard. Defective power cables pose a serious health risk!
- Do not sit on the device.
- Switch the device off and disconnect the power cable from the mains socket when the device is not in use.
- Before carrying out maintenance, care or repair work on the device, remove the mains plug from the mains socket. Hold onto the mains plug while doing so.
- The mains connection must correspond to the specifications in the Technical annex.
- Check accessories and connection parts for possible damage prior to every use of the device. Do not use any defective devices or device parts.
- Observe the following safety rules when performing work on the electrical equipment: 1. De-energise, 2. Secure against restart, 3. Verify de-energised state, 4. Earth and short-circuit, 5. Cover or fence off live parts.
- Never use the device if electric cables or the power connection are damaged!
- Observe the storage and operating conditions as given in the Technical data chapter.
- Do not expose the device to heat or direct sunlight.
- Do not look directly into the LEDs! The optical radiation can be harmful for your eyes.
- The LEDs and other parts of the device can become very hot. Do not touch any hot surfaces of the device.

Intended use

Use the device according to the technical data and only for a temporary illumination of indoor and roofed outdoor areas, e.g. for construction sites.

Foreseeable misuse

The device is not intended for permanent illumination of indoor and outdoor areas.

Any other use than the one described in the chapter "Intended use" is regarded as reasonably foreseeable misuse.

Personnel qualifications

People who use this device must:

- have read and understood the operating manual, especially the Safety chapter.

Residual risks



Warning of electrical voltage

Electric shock from insufficient insulation. Check the device for damages and proper functioning before each use.

If you notice damages, no longer use the device. Do not use the device when the device or your hands are damp or wet!



Warning of electrical voltage

Work on the electrical components must only be carried out by an authorised specialist company!



Warning of electrical voltage

There is a risk of a short-circuit due to liquids penetrating the housing!

Do not immerse the device and the accessories in water. Make sure that no water or other liquids can enter the housing.



Warning of hot surface

Some parts of this product can become very hot and cause burns. Particular attention has to be given where children and vulnerable people are present!



Warning

Dangers can occur at the device when it is used by untrained people in an unprofessional or improper way! Observe the personnel qualifications!



Warning

The device is not a toy and does not belong in the hands of children.



Warning

Risk of suffocation!

Do not leave the packaging lying around. Children may use it as a dangerous toy.



Caution

Keep a sufficient distance from heat sources.



Warning

Do not look directly into the LEDs! The optical radiation can be harmful for your eyes.

Note

If you store or transport the device improperly, the device may be damaged.

Note the information regarding transport and storage of the device.

Overheating protection

The device is provided with an overheating protection, which is activated by overheating of the device.

When the overheating protection is tripped, the brightness decreases. The temperature is reduced but the LEDs continue to be illuminated.

Information about the device

Device description

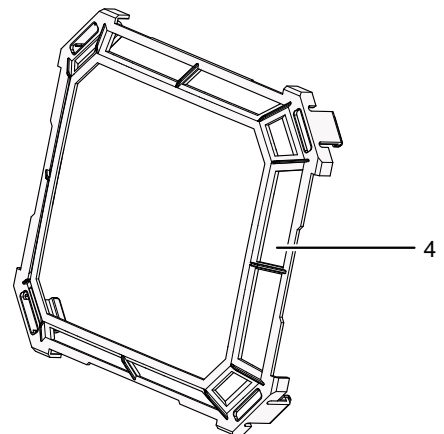
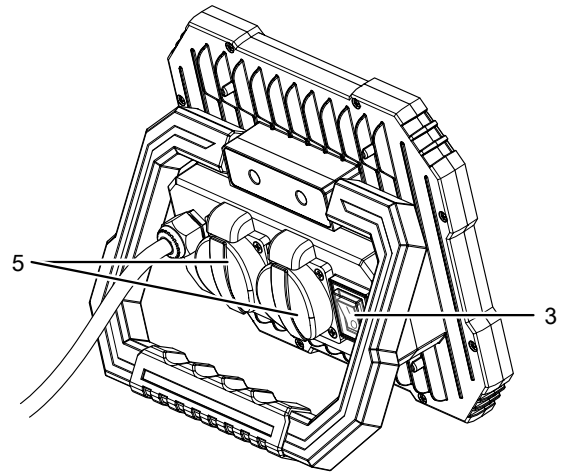
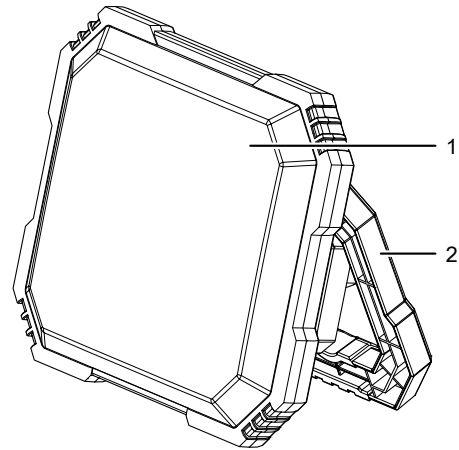
The device is equipped with bright surface LEDs and an overheating protection. The device has an on/off switch.

The foot, which can also be used as a transport handle, can be swivelled by up to 180°.

The device is equipped with two additional safety sockets to which further devices can be connected.

The device is dust- and splash-proof.

Device depiction




No.	Designation
1	Surface LED
2	Transport handle
3	On/off switch
4	Edge protection
5	Safety sockets (connections for external devices)

Scope of delivery

- 1 x LED construction site spotlight
- 1 x Manual
- 1 x edge protection

Technical data

Parameter		Value
Nominal voltage		220–240 V ~ 50/60 Hz
Surface LED	Power input	50 W
	Luminous flux	
	Level 1	2750 lm
	Level 2	5500 lm
	Colour temperature	6500 K
LED lamp beads		84 pcs.
Dimensions (length x width x height)		90 x 230 x 210 mm
Weight (packaging excluded)		1.3 kg
Plug type		CEE 7/7
Power cable length		2 m
Permitted ambient temperature (when stored)		0 °C – +45 °C
Operating temperature		-20 °C – +45 °C
Permitted ambient conditions (RH)		30 – 70 %
Type of protection		IP54
Protection class		I / 
Safety sockets		
Fusing		16 A
Nominal voltage		250 V
Type of protection		IP54

Transport and storage



Warning of electrical voltage

Do not touch the device's power cable or power cable connection with wet or damp hands.

Note

If you store or transport the device improperly, the device may be damaged.

Note the information regarding transport and storage of the device.

Transport

To make the device easier to transport, it is fitted with a carry handle.

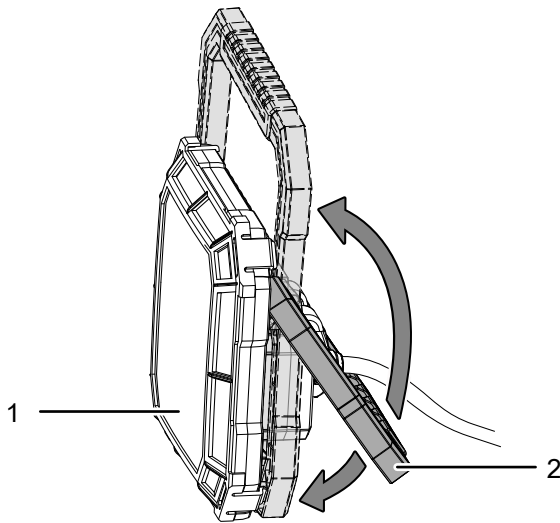
Before transporting the device, observe the following:

- Switch the device off.
- Allow the device to cool down.
- Unplug all external power cables from the device by holding onto the mains plug.
- Hold onto the mains plug while pulling the power cable out of the mains socket.

Storage

Before storing the device, proceed as follows:

- Switch the device off.
- Allow the device to cool down.
- Hold onto the mains plug while pulling the power cable out of the mains socket.
- Unplug all external power cables from the device by holding onto the mains plug.
- Clean the device as described in the Maintenance chapter.
- Pull the transport handle (2) down onto the surface LED (1) to fold up the device.



When the device is not being used, observe the following storage conditions:

- dry and protected from frost and heat
- Ambient temperature below 45 °C
- protected from dust and direct sunlight

Start-up

Unpacking the device

- Take the device out of the packaging.



Warning of electrical voltage

Electric shock from insufficient insulation. Check the device for damages and proper functioning before each use. If you notice damages, no longer use the device. Do not use the device when the device or your hands are damp or wet!

- Check the contents for completeness and look for damages.



Warning

Risk of suffocation! Do not leave the packaging lying around. Children may use it as a dangerous toy.

- Dispose of the packaging material according to the national regulations.

Putting the device into operation



Warning of hot surface

Some parts of this product can become very hot and cause burns. Particular attention has to be given where children and vulnerable people are present!



Warning of electrical voltage

Do not touch the device's power cable(s) or power cable connection(s) with wet or damp hands.



Warning

Do not look directly into the LEDs! The optical radiation can be harmful for your eyes.



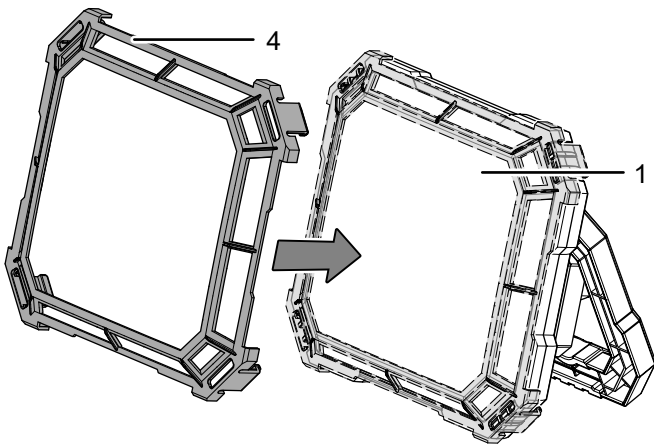
Info

You can fold and unfold the transport handle of the LED construction site spotlight by 180° and lock it in five positions.

Please proceed as follows to make the device ready for operation:

1. Unfold the transport handle (2).
⇒ The transport handle can be locked in one of the five positions.

- Place the edge protection (4) on the surface LED (1).



Connecting additional devices

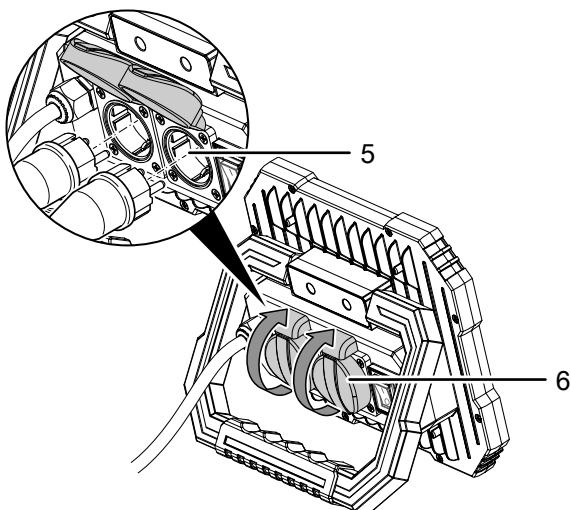


Warning of electrical voltage

When connecting external devices, make sure that the mains voltage of the external devices matches the mains voltage of the device PWLS 10-50 S. Risk of electric shock if the technical data are not observed!

Proceed as follows to connect external devices to the two sockets (5) of the device.

- Install the supply lines of the consumers to be connected.
 - ⇒ Do not create tripping hazards when laying the cables.
- Insert the mains plug into a properly secured socket (16 A fuse).
- Open the cover (6) of a socket (5) at the device.
- Plug the external power cable into the socket (5).



- Repeat the first two steps to connect a second power cable to the second socket (5).

Operation

Tips and notes on handling the LED construction site spotlight

General information:

- Avoid looking directly into the light source.
- Use the devices only for a temporary illumination of indoor and outdoor areas, e.g. for construction sites.
- The LED construction site spotlights are particularly suited for illuminating larger areas.



Warning of hot surface

Some parts of this product can become very hot and cause burns. Particular attention has to be given where children and vulnerable people are present!



Warning

Do not look directly into the LEDs! The optical radiation can be harmful for your eyes.



Warning of electrical voltage

Do not touch the device's power cable or power cable connection with wet or damp hands.

Note

Make sure that the power cable is guided along the back of the device. Never guide the power cable along the front of the device!

Note

Do not connect the device at ambient temperatures below $-20\text{ }^{\circ}\text{C}$ or above $45\text{ }^{\circ}\text{C}$, otherwise it will be damaged!

Switching the device on

Please proceed as follows to switch the device on:

- Insert the mains plug into a properly fused mains socket.
- Set the on/off switch (3) to position **I**.
 - ⇒ The device switches on in level 1. The surface LED (1) is illuminated.
- Set the on/off switch (3) to position **0**.
 - ⇒ The device switches off and the surface LED (1) goes out.
- Set the on/off switch (3) back to position **I**.
 - ⇒ The device switches on in level 2. The surface LED (1) is illuminated.

Shutdown

- Switch the device off by setting the on/off switch (1) to position **0**.
- Hold onto the mains plug while pulling the power cable out of the mains socket.
- Unplug all external power cables from the device by holding onto the mains plug.
- Allow the device to cool down.
- Clean the device according to the Maintenance chapter.
- Store the device according to the Storage chapter.

Available accessories



Warning

Only use accessories and additional equipment specified in the operating manual. Using insertion tools or accessories other than those specified in the operating manual may cause a risk of injury.

Designation	Article number
Cable drum	7.333.000.370
High-quality extension cable 15 m	7.333.000.372
High-quality extension cable 20 m	7.333.000.376
High-quality extension cable 25 m	7.333.000.369

Errors and faults

The device has been checked for proper functioning several times during production. If malfunctions occur nonetheless, check the device according to the following list.

Troubleshooting tasks which require the housing to be opened must only be carried out by an authorized specialist electrical company or by Trotec.

The device is not lit:

- Check whether the power cable is connected correctly.
- Check the power cable and mains plug for damage. If you notice damages, do not try to take the device back into operation.

If the supply cord is damaged, it must be replaced by the manufacturer, its service agent or similarly qualified persons in order to avoid a hazard.

- The LEDs are defective. They cannot be replaced. Contact the Trotec customer service.

The overheating protection has tripped:

1. Remove the plug of the power cable from the mains socket and allow the device to cool down.
2. Investigate the cause of overheating.

Note

Wait for at least 3 minutes after maintenance and repair work. Only then switch the device back on.

The device still does not operate correctly after these checks:

Please contact the customer service. If necessary, bring the device to an authorised specialist electrical company or to Trotec for repair.

Maintenance

Notes on maintenance

The device does not require maintenance.

Cleaning

The device should be cleaned before and after each use.



Warning of electrical voltage

There is a risk of a short-circuit due to liquids penetrating the housing!

Do not immerse the device and the accessories in water. Make sure that no water or other liquids can enter the housing.

- Clean the device with a soft, damp and lint-free cloth. Make sure that no moisture enters the housing. Protect electrical components from moisture. Do not use any aggressive cleaning agents such as cleaning sprays, solvents, alcohol-based or abrasive cleaners to dampen the cloth.
- Dry the device with a soft, lint-free cloth.

Disposal

Always dispose of packing materials in an environmentally friendly manner and in accordance with the applicable local disposal regulations.



The icon with the crossed-out waste bin on waste electrical or electronic equipment stipulates that this equipment must not be disposed of with the household waste at the end of its life. You will find collection points for free return of waste electrical and electronic equipment in your vicinity. The addresses can be obtained from your municipality or local administration. You can also find out about other return options that apply for many EU countries on the website <https://hub.trotec.com/?id=45090>. Otherwise, please contact an official recycling centre for electronic and electrical equipment authorised for your country.

The separate collection of waste electrical and electronic equipment aims to enable the re-use, recycling and other forms of recovery of waste equipment as well as to prevent negative effects for the environment and human health caused by the disposal of hazardous substances potentially contained in the equipment.

Only for United Kingdom

According to Waste Electrical and Electronic Equipment Regulations 2013 (2013/3113) devices that are no longer usable must be collected separately and disposed of in an environmentally friendly manner.

Trotec GmbH

Grebener Str. 7
D-52525 Heinsberg

☎ +49 2452 962-400

☎ +49 2452 962-200

✉ info@trotec.com

www.trotec.com