

# PWLS 10-30 / PWLS 10-70

EN

OPERATING MANUAL  
LED CONSTRUCTION SITE  
SPOTLIGHT



**Table of contents**

**Notes regarding the operating manual**..... 2

**Safety** ..... 2

**Information about the device**..... 4

**Transport and storage**..... 5

**Start-up**..... 6

**Operation** ..... 7

**Available accessories**..... 8

**Errors and faults**..... 8

**Maintenance** ..... 8

**Disposal** ..... 8



**Follow the manual**

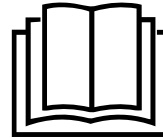
Information marked with this symbol indicates that the operating manual must be observed.



**Resistant service lights**

Information marked with this symbol indicates that the product is shock-proof and durable.

You can download the current version of the operating manual and the EU declaration of conformity via the following link:



PWLS 10-30  
PWLS 10-70



<https://hub.trotec.com/?id=44757>

**Notes regarding the operating manual**

**Symbols**



**Warning of electrical voltage**

This symbol indicates dangers to the life and health of persons due to electrical voltage.



**Warning of hot surface**

This symbol indicates dangers to the life and health of persons due to hot surface.



**Warning**

This signal word indicates a hazard with an average risk level which, if not avoided, can result in serious injury or death.



**Caution**

This signal word indicates a hazard with a low risk level which, if not avoided, can result in minor or moderate injury.

**Note**

This signal word indicates important information (e.g. material damage), but does not indicate hazards.



**Info**

Information marked with this symbol helps you to carry out your tasks quickly and safely.

**Safety**

**Read this manual carefully before starting or using the device. Always store the manual in the immediate vicinity of the device or its site of use.**



**Warning**

**Read all safety warnings and all instructions.**

Failure to follow the warnings and instructions may result in electric shock, fire and/or serious injury.

**Save all warnings and instructions for future reference.**

This appliance can be used by children aged from 8 years and above and persons with reduced physical, sensory or mental capabilities or lack of experience and knowledge if they have been given supervision or instruction concerning use of the appliance in a safe way and understand the hazards involved.

Children shall not play with the appliance. Cleaning and user maintenance shall not be made by children without supervision.

- Do not open the device housing. There is danger of a short circuit.
- Keep device away from open fire and hot surfaces and do not store or operate it in their vicinity.
- Do not pull the power cable directly out of the socket; always hold on to the mains plug itself.
- Do not leave the device running unattended.
- Insert the mains plug into a properly secured mains socket.
- Allow the device to cool down before transport and/or maintenance work.
- Do not use the device in aggressive atmosphere.

- Do not use the device in potentially explosive rooms or areas and do not install it there.
- Do not use the device with wet or damp hands.
- Do not use this device near bathtubs, shower trays, swimming pools or other water containers. Risk of electric shock!
- Do not expose the device to directly squirting water.
- Let the device dry out after a wet clean. Do not operate it when wet.
- Do not under any circumstances use the device if you detect damages on the mains plug or power cable. If the power cable is damaged, it must be replaced by the manufacturer, its service agent or similarly qualified persons in order to avoid a hazard. Defective power cables pose a serious health risk!
- Do not sit on the device.
- Switch the device off and disconnect the power cable from the mains socket when the device is not in use.
- Before carrying out maintenance, care or repair work on the device, remove the mains plug from the mains socket. Hold onto the mains plug while doing so.
- The electrical connection must correspond to the specifications in chapter Technical data.
- Check accessories and connection parts for possible damage prior to every use of the device. Do not use any defective devices or device parts.
- Do not look directly into the LEDs! The optical radiation can be harmful for your eyes.
- The LEDs and other parts of the device can become very hot. Do not touch any hot surfaces of the device.

### Intended use

Use the device according to the technical data and only for a temporary illumination of indoor and outdoor areas, e.g. for construction sites.

### Foreseeable misuse

The device is not intended for permanent illumination of indoor and outdoor areas.

Any other use than the one described in the chapter "Intended use" is regarded as reasonably foreseeable misuse.

### Personnel qualifications

People who use this device must:

- have read and understood the operating manual, especially the Safety chapter.

### Residual risks



#### Warning of electrical voltage

Electric shock from insufficient insulation.

Check the device for damages and proper functioning before each use.

If you notice damages, no longer use the device.

Do not use the device when the device or your hands are damp or wet!



#### Warning of electrical voltage

Work on the electrical components must only be carried out by an authorised specialist company!



#### Warning of electrical voltage

There is a risk of a short-circuit due to liquids penetrating the housing!

Do not immerse the device and the accessories in water. Make sure that no water or other liquids can enter the housing.



#### Warning of hot surface

Some parts of this product can become very hot and cause burns. Particular attention has to be given where children and vulnerable people are present!



#### Warning

Dangers can occur at the device when it is used by untrained people in an unprofessional or improper way! Observe the personnel qualifications!



#### Warning

The device is not a toy and does not belong in the hands of children.



#### Warning

Risk of suffocation!

Do not leave the packaging lying around. Children may use it as a dangerous toy.



#### Caution

Keep a sufficient distance from heat sources.



#### Warning

Do not look directly into the LEDs! The optical radiation can be harmful for your eyes.

#### Note

If you store or transport the device improperly, the device may be damaged.

Note the information regarding transport and storage of the device.

**Overheating protection**

The device is provided with an overheating protection, which is activated by overheating of the device.

When the overheating protection is tripped, the brightness decreases. The temperature is reduced but the LEDs continue to be illuminated.

**Information about the device**

**Device description**

The device is equipped with bright surface LEDs and an overheating protection. The device has an on/off switch. The LED light can be adjusted by up to 360°, the transport handle by up to 75°. The foot can be adjusted as desired. For operation, the device's power cable is connected to a mains socket.

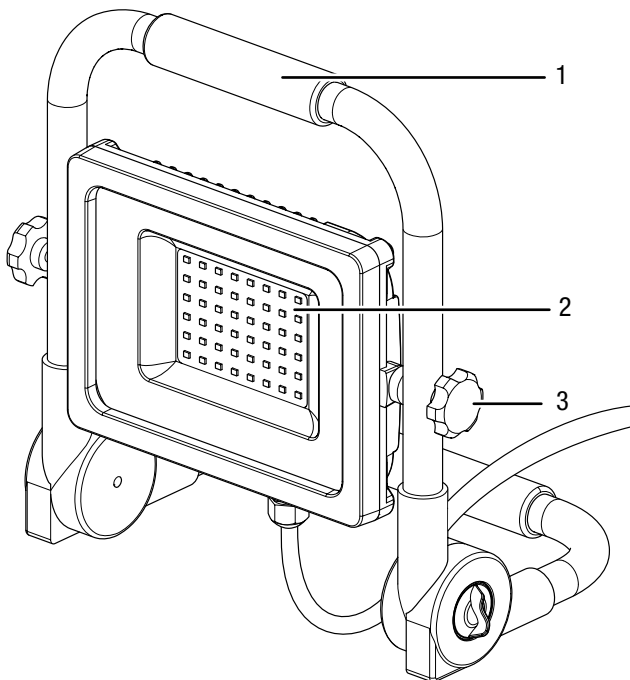
**Device depiction**



**Info**

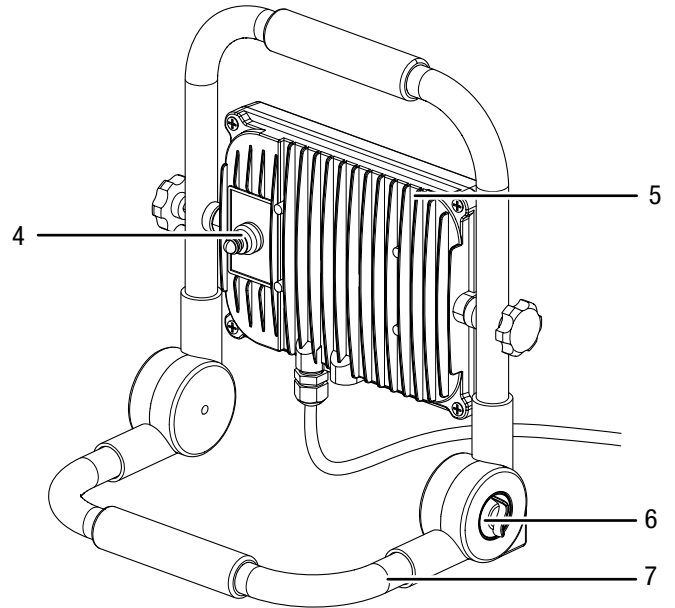
The illustrations in this operating manual show the devices PWLS 10-30 and PWLS 10-70 by way of example. The operating steps and explanations apply to both devices unless otherwise mentioned.

**Front view**



No.	Designation
1	Transport handle
2	Surface LED
3	Locking screw

**Rear view**



No.	Designation
4	On/off switch
5	Finned housing
6	Foot locking screw
7	Foot

**Scope of delivery**

**PWLS 10-30 and PWLS 10-70**

- 1 x LED construction site spotlight
- 1 x Manual

## Technical data

### PWLS 10-30

Parameter		Value
Nominal voltage		220-240 V
Surface LED	Power input	30 W
	Luminous flux	2700 lm
	Colour temperature	5000 K
LED lamp beads		48 pcs.
Dimensions (length x width x height)		55 x 285 x 290 mm
Weight (packaging excluded)		1 kg
Plug type		CEE 7/4
Power cable length		1.4 m
Permitted ambient temperature (when stored)		-20 °C – +50 °C
Operating temperature		-25 °C – +50 °C
Permitted ambient conditions (RH)		10 – 90 %
Type of protection		IP65
Protection class		I

### PWLS 10-70

Parameter		Value
Nominal voltage		220-240 V
Surface LED	Power input	70 W
	Luminous flux	6300 lm
	Colour temperature	5000 K
LED lamp beads		120 pcs.
Dimensions (length x width x height)		55 x 295 x 310 mm
Weight (packaging excluded)		1 kg
Plug type		CEE 7/4
Power cable length		1.4 m
Permitted ambient temperature (when stored)		-20 °C – +50 °C
Operating temperature		-25 °C – +50 °C
Permitted ambient conditions (RH)		10 – 90 %
Type of protection		IP65
Protection class		I

## Transport and storage



### Warning of electrical voltage

Do not touch the device's power cable or power cable connection with wet or damp hands.

### Note

If you store or transport the device improperly, the device may be damaged.

Note the information regarding transport and storage of the device.

## Transport

To make the device easier to transport, it is fitted with a carry handle.

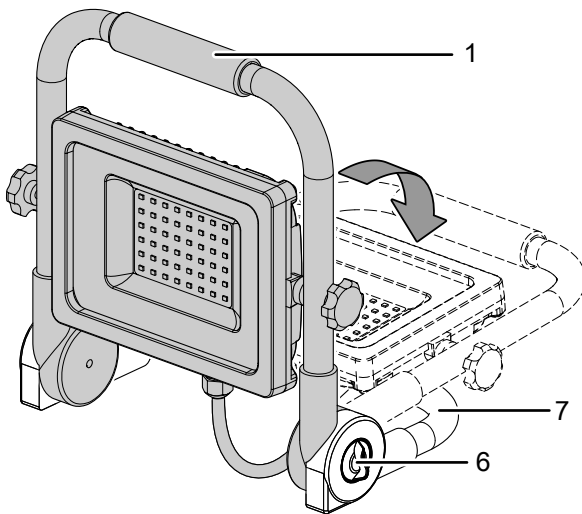
**Before** transporting the device, observe the following:

- Switch the device off.
- Allow the device to cool down.
- Hold onto the mains plug while pulling the power cable out of the mains socket.

## Storage

Before storing the device, observe the following:

- Switch the device off.
- Allow the device to cool down.
- Hold onto the mains plug while pulling the power cable out of the mains socket.
- Clean the device as described in the Maintenance chapter.
- Loosen the foot locking screws (6) on both sides of the device by turning in counter-clockwise direction. Pull the transport handle (1) down onto the foot (7) to fold up the device. Tighten the foot locking screws (6) on both sides of the device by turning in clockwise direction.



When the device is not being used, observe the following storage conditions:

- dry and protected from frost and heat
- ambient temperature below 50 °C
- protected from dust and direct sunlight

## Start-up

### Unpacking the device

- Take the device out of the packaging.



#### Warning of electrical voltage

Electric shock from insufficient insulation. Check the device for damages and proper functioning before each use.

If you notice damages, no longer use the device.

Do not use the device when the device or your hands are damp or wet!

- Check the contents for completeness and look for damages.



#### Warning

Risk of suffocation!

Do not leave the packaging lying around. Children may use it as a dangerous toy.

- Dispose of the packaging material according to the national regulations.

### Putting the device into operation



#### Warning of hot surface

Some parts of this product can become very hot and cause burns. Particular attention has to be given where children and vulnerable people are present!



#### Warning of electrical voltage

Do not touch the device's power cable or power cable connection with wet or damp hands.



#### Warning of electrical voltage

Do not touch the device's power cable or power cable connection with wet or damp hands.



#### Warning

Do not look directly into the LEDs! The optical radiation can be harmful for your eyes.

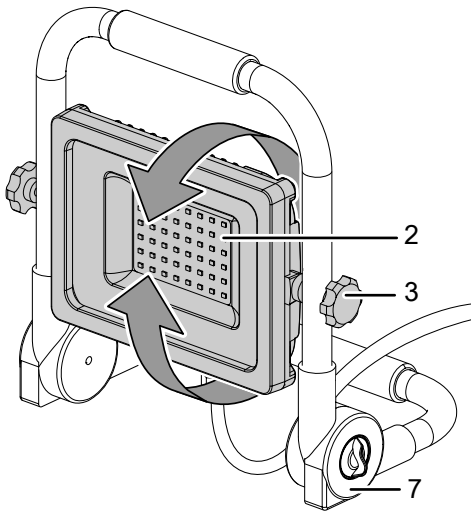
Please proceed as follows to make the device ready for operation:

1. Loosen the foot locking screws (6) on both sides of the device by turning in counter-clockwise direction.
2. Pull the transport handle (1) away from the foot (7) and position it as desired.
3. Tighten the foot locking screws (6) on both sides of the device.

## Adjusting the lighting position

Please proceed as follows to adjust the lighting position:

1. If necessary, switch the device off by pressing the on/off switch (4).
2. Allow the device to cool down and remove the mains plug from the mains socket.
3. Loosen the locking screws (3) on both sides of the device by turning in counter-clockwise direction.
4. Rotate the surface LED (2) to the desired position.



### Info

The transport handle of the LED construction site spotlight can be rotated by up to 75° and the surface LED by up to 360°.

5. Lock the new position of the surface LED by turning the locking screws (3) on both sides of the device in clockwise direction.

## Operation

### Tips and notes on handling the LED construction site spotlight

*General information:*

- Avoid looking directly into the light source.
- Use the devices only for a temporary illumination of indoor and outdoor areas, e.g. for construction sites.
- The LED construction site spotlights are particularly suited for illuminating larger areas.



### Warning of hot surface

Some parts of this product can become very hot and cause burns. Particular attention has to be given where children and vulnerable people are present!



### Warning

Do not look directly into the LEDs! The optical radiation can be harmful for your eyes.



### Warning of electrical voltage

Do not touch the device's power cable or power cable connection with wet or damp hands.

### Note

Make sure that the power cable is guided along the back of the device. Never guide the power cable along the front of the device!

### Note

Do not connect the device at ambient temperatures below -25 °C or above 55 °C, otherwise it will be damaged!

### Switching the device on

Please proceed as follows to switch the device on:

1. Check whether the power cable is plugged in correctly.
2. Press the on/off switch (4).
  - ⇒ The device switches on and the surface LED (2) lights up.

### Shutdown

- Switch the device off by pressing the on/off switch (4).
- Hold onto the mains plug while pulling the power cable out of the mains socket.
- Allow the device to cool down.
- Clean the device according to the Maintenance chapter.
- Store the device according to the Storage chapter.

## Available accessories



### Warning

Only use accessories and additional equipment specified in the operating manual. Using insertion tools or accessories other than those specified in the operating manual may cause a risk of injury.

Designation	Article number
Cable drum	7.333.000.370
High-quality extension cable 15 m	7.333.000.372
High-quality extension cable 20 m	7.333.000.376
High-quality extension cable 25 m	7.333.000.369

## Errors and faults

The device has been checked for proper functioning several times during production. If malfunctions occur nonetheless, check the device according to the following list.

Troubleshooting tasks which require the housing to be opened must only be carried out by an authorized specialist electrical company or by Trotec.

### The device is not lit:

- Check whether the power cable is connected correctly.
- Check the power cable and mains plug for damage. If you notice damages, do not try to take the device back into operation.

If the supply cord is damaged, it must be replaced by the manufacturer, its service agent or similarly qualified persons in order to avoid a hazard.

- The LEDs are defective. They cannot be replaced. Contact the Trotec customer service.

### The overheating protection has tripped:

1. Remove the plug of the power cable from the mains socket and allow the device to cool down.
2. Investigate the cause of overheating.

### Note

Wait for at least 3 minutes after maintenance and repair work. Only then switch the device back on.

### Your device still does not operate correctly after these checks?

Please contact the customer service. If necessary, bring the device to an authorised specialist electrical company or to Trotec for repair.

## Maintenance

### Notes on maintenance

The device does not require maintenance.

### Cleaning

The device should be cleaned before and after each use.



### Warning of electrical voltage

There is a risk of a short-circuit due to liquids penetrating the housing!

Do not immerse the device and the accessories in water. Make sure that no water or other liquids can enter the housing.

- Clean the device with a soft, damp and lint-free cloth. Make sure that no moisture enters the housing. Protect electrical components from moisture. Do not use any aggressive cleaning agents such as cleaning sprays, solvents, alcohol-based or abrasive cleaners to dampen the cloth.
- Dry the device with a soft, lint-free cloth.

## Disposal



The icon with the crossed-out waste bin on waste electrical or electronic equipment stipulates that this equipment must not be disposed of with the household waste at the end of its life. You will find collection points for free return of waste electrical and electronic equipment in your vicinity. The addresses can be obtained from your municipality or local administration. For further return options provided by us please refer to our website <https://de.trotec.com/shop/>.

The separate collection of waste electrical and electronic equipment aims to enable the re-use, recycling and other forms of recovery of waste equipment as well as to prevent negative effects for the environment and human health caused by the disposal of hazardous substances potentially contained in the equipment.



Trotec GmbH

Grebener Str. 7  
D-52525 Heinsberg

☎ +49 2452 962-400

☎ +49 2452 962-200

✉ [info@trotec.com](mailto:info@trotec.com)

[www.trotec.com](http://www.trotec.com)