

EN

ORIGINAL INSTRUCTIONS
LED WORK LAMP



Table of contents

Notes regarding the instructions 2

Safety 2

Information about the device 4

Transport and storage 6

Start-up 6

Operation 7

Errors and faults 8

Maintenance 9

Disposal 9

Notes regarding the instructions

Symbols



Warning of electrical voltage

This symbol indicates dangers to the life and health of persons due to electrical voltage.



Warning of hot surface

This symbol indicates dangers to the life and health of persons due to hot surface.



Warning

This signal word indicates a hazard with an average risk level which, if not avoided, can result in serious injury or death.



Caution

This signal word indicates a hazard with a low risk level which, if not avoided, can result in minor or moderate injury.

Note

This signal word indicates important information (e.g. material damage), but does not indicate hazards.



Info

Information marked with this symbol helps you to carry out your tasks quickly and safely.



Follow the manual

Information marked with this symbol indicates that the instructions must be observed.

You can download the current version of these instructions via the following link:



PWLS 01-3



<https://hub.trotec.com/?id=44105>

Safety

General Power Tool Safety Warnings



Warning

Read all safety warnings, instructions, illustrations and specifications provided with this power tool.

Failure to follow all instructions listed below may result in electric shock, fire and/or serious injury.

Save all warnings and instructions for future reference.

The term *power tool* in the warnings refers to your mains-operated (corded) power tool or battery-operated (cordless) power tool.



General Power Tool Safety Warnings – Work area safety

- **Keep work area clean and well lit.** Clutter or dark areas invite accidents.
- **Do not operate power tools in explosive atmosphere, such as in the presence of flammable liquids, gases or dust.** Power tools create sparks which may ignite the dust or fumes.
- **Keep children and bystanders away while operating a power tool.** Distractions can cause you to lose control.



General Power Tool Safety Warnings – Electrical safety

- **Avoid body contact with earthed or grounded surfaces, such as pipes, radiators, ranges and refrigerators.** There is an increased risk of electric shock if your body is earthed or grounded.
- **Do not expose power tools to rain or wet conditions.** Water entering a power tool will increase the risk of electric shock.
- **If operating a power tool in a damp location is unavoidable, use a residual current device (RCD) protected supply.** Use of an RCD reduces the risk of electric shock.



General Power Tool Safety Warnings – Power tool use and care

- **Do not force the power tool. Use the correct power tool for your application.** The correct power tool will do the job better and safer at the rate for which it was designed.
- **Do not use the power tool if the switch does not turn it on and off.** Any power tool that cannot be controlled with the switch is dangerous and must be repaired.
- **Store idle power tools out of the reach of children and Do not allow persons unfamiliar with the power tool or these instructions to operate the power tool.** Power tools are dangerous in the hands of untrained users.
- **Maintain power tools and accessories. Check for misalignment or binding of moving parts, breakage of parts and any other condition that may affect the power tool's operation. If damaged, have the power tool repaired before use.** Many accidents are caused by poorly maintained power tools.
- **Use the power tool, accessories and tool bits etc. in accordance with these instructions, Take into account the working conditions and the work to be performed.** Use of the power tool for operations different from those intended could result in a hazardous situation.
- **Keep handles and grasping surfaces dry, clean and free from oil and grease.** Slippery handles and grasping surfaces do not allow for safe handling and control of the tool in unexpected situations.



General Power Tool Safety Warnings – Service

- **Have your power tool serviced by a qualified repair person using only identical replacement parts.** This will ensure that the safety of the power tool is maintained.



General Power Tool Safety Warnings – Notes on batteries

- **Have your power tool serviced by a qualified repair person using only identical replacement parts.** This will ensure that the safety of the power tool is maintained.
- Use batteries of type AA.
- **Do not insert rechargeable batteries into the device.**
- **Never charge batteries that cannot be recharged.**
- **Different types of batteries and new and used batteries must not be used together.**
- **Insert the batteries into the battery compartment according to the correct polarity.**
- **Remove discharged batteries from the device. Batteries contain materials hazardous to the environment.** Dispose of the batteries according to the national regulations.
- **Remove the batteries from the device if you will not be using the device for a longer period of time.**
- **Never short-circuit the supply terminal in the battery compartment!**
- **Do not swallow batteries! If a battery is swallowed, it can cause severe internal burns within 2 hours!** These burns can lead to death!
- **If you think batteries might have been swallowed or otherwise entered the body, seek medical attention immediately!**
- **Keep new and used batteries and an open battery compartment away from children.**
- **Do not use any damaged batteries.** Damaged batteries may exhibit unpredictable behaviour resulting in fire, explosion or risk of injury.
- **Do not expose the battery to fire or excessive temperature.** Exposure to fire or temperature above 75 °C may cause explosion.

Intended use

Use the device PWLS 01-3 according to the technical data and only for a temporary illumination of indoor and outdoor areas.

Foreseeable misuse

Any other use than the one described in the chapter "Intended use" is regarded as reasonably foreseeable misuse.

Personnel qualifications

People who use this device must:

- have read and understood the instructions, especially the Safety chapter.

Residual risks



Warning of electrical voltage

Electric shock due to insufficient insulation!
Check the device for damages and proper functioning before each use.
If you detect damages, do not use the device any longer.
Do not use the device when either the device or your hands are damp or wet!



Warning of electrical voltage

Work on the electrical components must only be carried out by an authorised specialist company!



Warning of electrical voltage

There is a risk of a short-circuit due to liquids penetrating the housing!
Do not immerse the device and the accessories in water. Make sure that no water or other liquids can enter the housing.



Warning of hot surface

Some parts of this product can become very hot and cause burns. Particular attention has to be given where children and vulnerable people are present!



Warning

Dangers can occur at the device when it is used by untrained people in an unprofessional or improper way!
Observe the personnel qualifications!



Warning

The device is not a toy and does not belong in the hands of children.



Warning

Risk of suffocation!
Do not leave the packaging lying around. Children may use it as a dangerous toy.



Caution

Keep a sufficient distance from heat sources.

Note

If you store or transport the device improperly, the device may be damaged.
Note the information regarding transport and storage of the device.

Information about the device

Device description

The device PWLS 01-3 serves as light-intense LED work light with integrated magnetic holder. The LED located inside the head also functions as torch. This enables an illumination covering larger areas but also with pin-point precision.

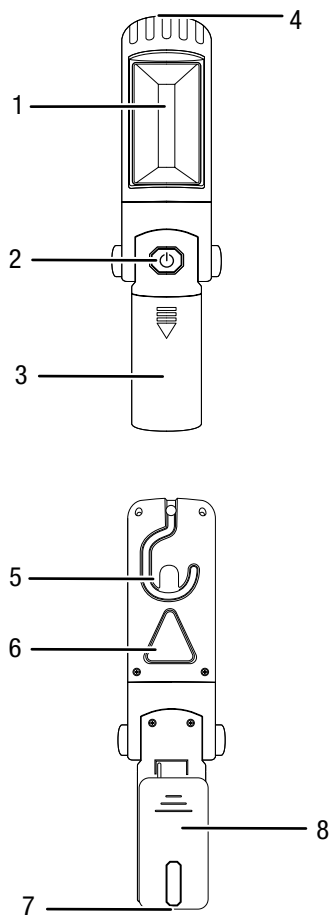
The surface LED is illuminated with an intensity of maximally 220 lm. The spotlight LED is illuminated with maximally 70 lm. Besides, the device is provided with an integrated flashing warning light.

The lamp head can be rotated by 270° and vertically pivoted by 90°.

With the integrated hook you can easily hang the lamp up.

The fastening clip facilitates transport and provides faster access to the device.

Device depiction



No.	Designation
1	Surface LED
2	On/off switch
3	Battery compartment
4	Spotlight LED
5	Hook
6	Flashing warning light button
7	Magnetic holder
8	Mounting bracket

Scope of delivery

PWLS 01-3

- 1 x LED work light
- 1 x Manual
- 3 x AA batteries

Technical data

Parameter	Value	
Model	PWLS 01-3	
Nominal voltage	4.5 V	
Spotlight LED (inspection lamp)	Power consumption	1 W
	Luminous flux	70 lm
	Burn time	8-9 h
	Colour temperature	12000 K
Panel LED (tube light)	Power consumption	3 W
	Luminous flux	220 lm
	Burn time	approx. 6-7 h
	Colour temperature	6000 K
Dimensions (packaging included, length x width x height)	72 x 76 x 260 mm	
Weight (packaging included)	1 kg	
Batteries	3 x 1.5 V, AA batteries	
Permitted ambient temperature (when stored)	-30 °C – +75 °C	
Operating temperature	-20 °C – +55 °C	

Transport and storage

Note

If you store or transport the device improperly, the device may be damaged.

Note the information regarding transport and storage of the device.

Transport

Before transporting the device, observe the following:

- Switch the device off.
- Allow the device to cool down.
- Remove the batteries from the device.

Observe the following when transporting or shipping batteries:

- The user may transport the batteries by road without any additional requirements.
 - Only ship batteries if their housing is undamaged.
 - Mask open terminals with tape and pack the battery in a way that it cannot move inside the packaging.
 - Please also observe any other national regulations.

Storage

Before storing the device, proceed as follows:

- Switch the device off.
- Remove the batteries from the device.
- Clean the device as described in the Maintenance chapter.

When the device is not being used, observe the following storage conditions:

- dry and protected from frost and heat
- Ambient temperature below 75 °C
- protected from dust and direct sunlight

Start-up

Unpacking the device

- Take the device and the accessories out of the packaging.



Warning of electrical voltage

Electric shock due to insufficient insulation!

Check the device for damages and proper functioning before each use.

If you detect damages, do not use the device any longer.

Do not use the device when either the device or your hands are damp or wet!

- Check the contents for completeness and look for damages.



Warning

Risk of suffocation!

Do not leave the packaging lying around. Children may use it as a dangerous toy.

- Dispose of the packaging material according to the national regulations.



Warning of electrical voltage

Do not touch the battery compartment with wet or damp hands.

Note

Observe the Technical data for start-up.

Inserting the batteries

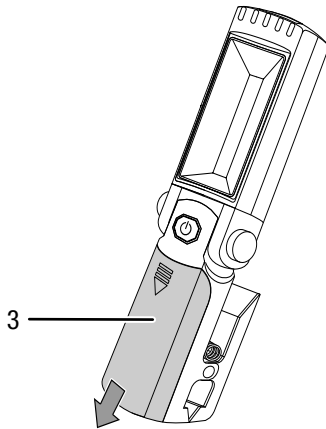
You need 3 AA batteries for the device PWLS 01-3.

Insert the batteries into the device prior to use. To do so, please proceed as follows:

1. Open the battery compartment (3) at the front of the device by pulling down the battery compartment cover (3).
2. Insert the batteries with correct polarity (+/-).
3. Close the battery compartment (3).

Remove batteries

1. Open the battery compartment (3) at the front of the device by pulling down the battery compartment cover (3).



2. Remove the batteries from the device.
3. Put the battery compartment cover (3) back on the device.
4. Dispose of the batteries properly.

Operation

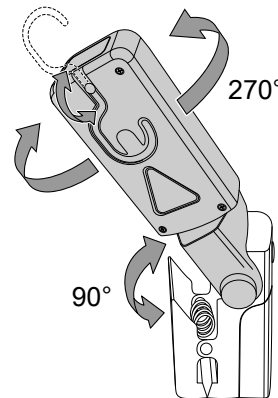
Tips and notes on handling the LED work light

General information:

- Avoid looking directly into the light source.
- Use the device for the time-limited illumination of dry interior spaces or outdoor areas.
- The device may be used as torch.
- The work light is suitable for illuminating larger areas.

Switching the device on and off

1. Unfold the device and position it as desired.

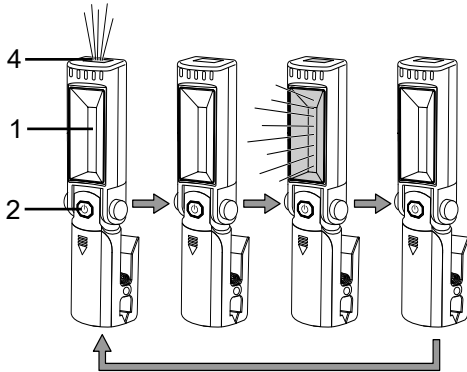


Info

The lamp head can be rotated by 270° and pivoted by 90°.

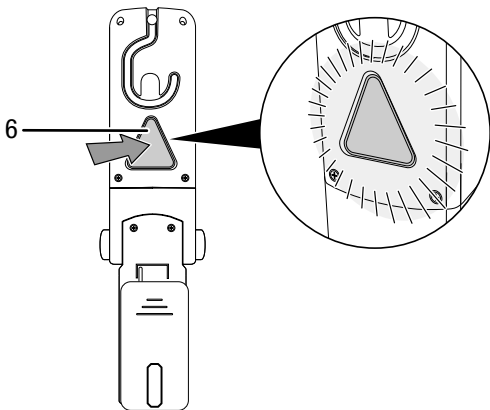
2. Press the on/off switch (2) 1 x to switch on the LED work light.
 - ⇒ The spotlight LED (4) is illuminated.
1. Press the on/off switch (2) 1 x to switch the spotlight LED (4) back off again.
 - ⇒ The spotlight LED (4) is no longer illuminated.
2. Press the on/off switch (2) 1 x again and hold it for 2-3 seconds to switch on the surface LED (1).
 - ⇒ The surface LED (1) is illuminated.

3. Press the on/off switch (2) 1 x again to switch the surface LED (1) back off.
- ⇒ The surface LED (1) is no longer illuminated.



Flashing warning light

1. Press the triangular flashing warning light button (6) 1 x to use the device as flashing warning light.
2. The flashing warning light button (6) flashes in red light.



3. To switch off the flashing of the warning light button (6), press the flashing warning light button (6) 1 x again.
- ⇒ The press the flashing warning light button (6) is no longer illuminated.

Shutdown



Warning of electrical voltage

Never touch the batteries in the battery compartment with wet or damp hands.

- Switch the device off.
- Remove the batteries from the battery compartment (3).
- If required, allow the device to cool down.
- Clean the device according to the Maintenance chapter.
- Store the device according to the Storage chapter.

Errors and faults

The device has been checked for proper functioning several times during production. If malfunctions occur nonetheless, check the device according to the following list.

Troubleshooting tasks which require the housing to be opened must only be carried out by an authorized specialist electrical company or by Trotec.

The device is not lit:

- Insert the batteries into the battery compartment with correct polarity.
- The battery power might be too low. Replace the batteries. Only use type AA batteries.
- Check the battery compartment for damage.
- Check the contacts in the battery compartment. Remove any dirt.
- The LEDs may be defective. Contact the Trotec customer service.

Note

Wait for at least 3 minutes after maintenance and repair work. Only then switch the device back on.

The device still does not operate correctly after these checks:

Please contact the customer service. If necessary, bring the device to an authorised specialist electrical company or to Trotec for repair.

Maintenance

Activities required before starting maintenance



Warning of electrical voltage

Never touch the batteries in the battery compartment with wet or damp hands.

- Switch the device off.
- Allow the device to cool down completely.
- Remove the batteries from the device.



Warning of electrical voltage

Maintenance tasks which require the housing to be opened must only be carried out by authorised specialist companies or by Trotec.

Notes on maintenance

The device does not require maintenance.

Cleaning

The device should be cleaned before and after each use.



Warning of electrical voltage

There is a risk of a short-circuit due to liquids penetrating the housing!

Do not immerse the device and the accessories in water. Make sure that no water or other liquids can enter the housing.

- Clean the device with a soft, damp and lint-free cloth. Make sure that no moisture enters the housing. Protect electrical components from moisture. Do not use any aggressive cleaning agents such as cleaning sprays, solvents, alcohol-based or abrasive cleaners to dampen the cloth.
- Dry the device with a soft, lint-free cloth.

Disposal

Always dispose of packing materials in an environmentally friendly manner and in accordance with the applicable local disposal regulations.



The icon with the crossed-out waste bin on waste electrical or electronic equipment is taken from Directive 2012/19/EU. It states that this device must not be disposed of with the household waste at the end of its life. You will find collection points for free return of waste electrical and electronic equipment in your vicinity. The addresses can be obtained from your municipality or local administration. You can also find out about other return options that apply for many EU countries on the website <https://hub.trotec.com/?id=45090>. Otherwise, please contact an official recycling centre for electronic and electrical equipment authorised for your country.

The separate collection of waste electrical and electronic equipment aims to enable the re-use, recycling and other forms of recovery of waste equipment as well as to prevent negative effects for the environment and human health caused by the disposal of hazardous substances potentially contained in the equipment.



In the European Union, batteries and accumulators must not be treated as domestic waste, but must be disposed of professionally in accordance with Directive 2006/66/EC of the European Parliament and of the Council of 6 September 2006 on batteries and accumulators. Please dispose of batteries and accumulators according to the relevant legal requirements.

Only for United Kingdom

According to Waste Electrical and Electronic Equipment Regulations 2013 (SI 2013/3113) (as amended) and the Waste Batteries and Accumulators Regulations 2009 (SI 2009/890) (as amended), devices that are no longer usable must be collected separately and disposed of in an environmentally friendly manner.

Trotec GmbH

Grebener Str. 7
D-52525 Heinsberg

☎ +49 2452 962-400

☎ +49 2452 962-200

✉ info@trotec.com

www.trotec.com