

PGGS 10-230V

EN

INSTRUCTIONS
GLUE GUN



 **TROTTEC**

Table of contents

Information on the use of this instructions 2

Safety 2

Information about the device 6

Transport and storage 7

Start-up 7

Operation 8

Errors and faults 10

Maintenance 11

Disposal 12

Information on the use of this instructions

Symbols



Warning of electrical voltage

This symbol indicates dangers to the life and health of persons due to electrical voltage.



Warning

This signal word indicates a hazard with an average risk level which, if not avoided, can result in serious injury or death.



Caution

This signal word indicates a hazard with a low risk level which, if not avoided, can result in minor or moderate injury.

Note

This signal word indicates important information (e.g. material damage), but does not indicate hazards.



Info

Information marked with this symbol helps you to carry out your tasks quickly and safely.



Follow the manual

Information marked with this symbol indicates that the instructions must be observed.



Wear safety glasses

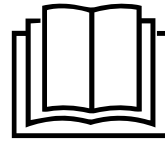
Information marked with this symbol indicates that you should wear eye protection.



Wear protective gloves

Information marked with this symbol indicates that you should wear protective gloves.

You can download the current version of the instructions and the EU declaration of conformity via the following link:



PGGS 10-230V



<https://hub.trotec.com/?id=41186>

Safety

General Power Tool Safety Warnings



Warning

Read all safety warnings, instructions, illustrations and specifications provided with this power tool.

Failure to follow all instructions listed below may result in electric shock, fire and/or serious injury.

Save all warnings and instructions for future reference.

This appliance can be used by children aged from 8 years and above and persons with reduced physical, sensory or mental capabilities or lack of experience and knowledge if they have been given supervision or instruction concerning use of the appliance in a safe way and understand the hazards involved.

The term *power tool* in the warnings refers to your mains-operated (corded) power tool or battery-operated (cordless) power tool.



General Power Tool Safety Warnings – Work area safety

- **Keep work area clean and well lit.** Clutter or dark areas invite accidents.
- **Do not operate power tools in explosive atmosphere, such as in the presence of flammable liquids, gases or dust.** Power tools create sparks which may ignite the dust or fumes.
- **Keep children and bystanders away while operating a power tool.** Distractions can cause you to lose control.



General Power Tool Safety Warnings – Electrical safety

- **Power tool plugs must match the outlet. Never modify the plug in any way. Do not use any adapter plugs with earthed (grounded) power tools.** Unmodified plugs and matching outlets will reduce risk of electric shock.

- **Avoid body contact with earthed or grounded surfaces, such as pipes, radiators, ranges and refrigerators.** There is an increased risk of electric shock if your body is earthed or grounded.
- **Do not expose power tools to rain or wet conditions.** Water entering a power tool will increase the risk of electric shock.
- **Do not abuse the cord. Never use the cord for carrying, pulling or unplugging the power tool. Keep cord away from heat, oil, sharp edges or moving parts.** Damaged or entangled cords increase the risk of electric shock.
- **When operating a power tool outdoors, use an extension cord suitable for outdoor use.** Use of a cord suitable for outdoor use reduces the risk of electric shock.
- **If operating a power tool in a damp location is unavoidable, use a residual current device (RCD) protected supply.** Use of an RCD reduces the risk of electric shock.

General Power Tool Safety Warnings – Personal safety

- **Stay alert, watch what you are doing and use common sense when operating a power tool. Do not use a power tool while you are tired or under the influence of drugs, alcohol or medication.** A moment of inattention while operating power tools may result in serious personal injury.
- **Use personal protective equipment. Always wear eye protection.** Protective equipment such as a dust mask, non-skid safety shoes, hard hat or hearing protection used for appropriate conditions will reduce personal injuries.
- **Prevent unintentional starting. Ensure the switch is in the off-position before connecting to power source and/or battery pack, picking up or carrying the tool.** Carrying power tools with your finger on the switch or energising power tools that have the switch on invites accidents.
- **Remove any adjusting key or wrench before turning the power tool on.** A wrench or a key left attached to a rotating part of the power tool may result in personal injury.
- **Do not overreach. Keep proper footing and balance at all times.** This enables better control of the power tool in unexpected situations.
- **Dress properly. Do not wear loose clothing or jewellery. Keep your hair and clothing away from moving parts.** Loose clothes, jewellery or long hair can be caught in moving parts.

- **If devices are provided for the connection of dust extraction and collection facilities, ensure these are connected and properly used.** Use of dust collection can reduce dust-related hazards.
- **Do not let familiarity gained from frequent use of tools allow you to become complacent and ignore tool safety principles.** A careless action can cause severe injury within a fraction of a second.

General Power Tool Safety Warnings – Power tool use and care

- **Do not force the power tool. Use the correct power tool for your application.** The correct power tool will do the job better and safer at the rate for which it was designed.
- **Do not use the power tool if the switch does not turn it on and off.** Any power tool that cannot be controlled with the switch is dangerous and must be repaired.
- **Disconnect the plug from the power source and/or remove the battery pack, if detachable, from the power tool before making any adjustments, changing accessories, or storing power tools.** Such preventive safety measures reduce the risk of starting the power tool accidentally.
- **Store idle power tools out of the reach of children and do not allow persons unfamiliar with the power tool or these instructions to operate the power tool.** Power tools are dangerous in the hands of untrained users.
- **Maintain power tools and accessories. Check for misalignment or binding of moving parts, breakage of parts and any other condition that may affect the power tool's operation. If damaged, have the power tool repaired before use.** Many accidents are caused by poorly maintained power tools.
- **Keep cutting tools sharp and clean.** Properly maintained cutting tools with sharp cutting edges are less likely to bind and are easier to control.
- **Use the power tool, accessories and tool bits etc. in accordance with these instructions, Take into account the working conditions and the work to be performed.** Use of the power tool for operations different from those intended could result in a hazardous situation.
- **Keep handles and grasping surfaces dry, clean and free from oil and grease.** Slippery handles and grasping surfaces do not allow for safe handling and control of the tool in unexpected situations.



General Power Tool Safety Warnings – Service

- **Have your power tool serviced by a qualified repair person using only identical replacement parts.** This will ensure that the safety of the power tool is maintained.



Device-specific safety warnings for glue guns

- **Only place the device on fireproof, non-heat-conducting and solid surfaces.** The heat generated by the device during operation entails a risk of fire.
- **Do not use flammable solvents for cleaning the areas to be glued.** Fire hazard.
- **Do not touch the nozzle or the glue stick.** The nozzle and the glue stick can reach temperatures exceeding 200 °C.
- **Do not allow hot glue to come into contact with people or animals.** In case of skin contact immediately hold the affected area under a jet of cold water for several minutes. Do not try to remove the glue from your skin.
- **Do not pull the glue stick out of the nozzle.** Touching hot glue can cause severe burns and the power tool can be damaged.
- **Never use the glue gun at ambient temperatures below 5 °C or above 50 °C.**
- **Do not use the glue gun in an environment with direct, cold wind.** The device's efficiency decreases and energy is lost.
- **In case of continued use, do not apply excessive pressure on the trigger.** The glue gun can be damaged.
- **Tasks which require the housing to be opened must only be carried out by authorised specialist companies.**
- **If the glue escapes towards the rear, stop using the tool immediately!** Have it cleaned by a specialist company before further use.

Intended use

Only use the device PGGS 10-230V for bonding wood, cardboard, packaging material, leather, ceramic, glass, carpet, seals, plastic, fabric, cork and metal using hot-melt glue whilst adhering to the technical data. The workpieces to be bonded must be clean, dry and free of grease.

We recommend using the power tool with original Trotec accessories.

Any use other than the intended use is regarded as misuse.

Reasonably foreseeable misuse

The device is not suited for

- bonding heat-sensitive materials such as soft PVC, styrofoam and other foams.
- treating large surfaces.

Personnel qualifications

People who use this device must:

- have read and understood the instructions, especially the Safety chapter.

Personal protective equipment



Wear eye protection.

With it you protect your eyes from splintering, falling and flying pieces which could cause injuries.



Wear protective gloves.

They protect your hands from burns, crushing injuries and skin abrasions.

Residual risks



Warning of electrical voltage

Electric shock due to insufficient insulation!

Check the device for damages and proper functioning before each use.

If you detect damages, do not use the device any longer.

Do not use the device when either the device or your hands are damp or wet!



Warning of electrical voltage

Work on the electrical components must only be carried out by an authorised specialist company!



Warning of electrical voltage

Before any work on the device, remove the mains plug from the mains socket!

Do not touch the mains plug with wet or damp hands. Hold onto the mains plug while pulling the power cable out of the mains socket.



Warning of electrical voltage

There is a risk of a short-circuit due to liquids penetrating the housing!

Do not immerse the device and the accessories in water. Make sure that no water or other liquids can enter the housing.



Warning of hot surface

The insertion tool might still be hot after the application. Burn hazard when touching the insertion tool.

Do not touch the insertion tool bare-handed!
Wear protective gloves!



**Warning**

Dangers can occur at the device when it is used by untrained people in an unprofessional or improper way! Observe the personnel qualifications!

**Warning**

The device is not a toy and does not belong in the hands of children.

**Warning**

Risk of suffocation!
Do not leave the packaging lying around. Children may use it as a dangerous toy.

**Caution**

Keep a sufficient distance from heat sources.

Note

If you store or transport the device improperly, the device may be damaged.
Note the information regarding transport and storage of the device.

Behaviour in the event of an emergency / emergency stop function

Emergency stop:

Removing the mains plug from the mains socket results in the function of the device immediately stopping. In order to secure the device against accidental switch-on, leave the mains plug disconnected.

Behaviour in the event of an emergency:

1. Switch the device off.
2. In an emergency, disconnect the device from the mains feed-in: Hold onto the mains plug while pulling the power cable out of the mains socket.
3. Do not reconnect a defective device to the mains.

Information about the device

Device description

The device PGGGS 10-230V is a glue gun for repairs and tinkering. The device is suitable for bonding wood, plastic, textiles, cardboard, paper, ceramic, leather, cork, glass and metal.

During a work break, you can rest the glue gun on the wire stand or put it into the device holder with drip tray.

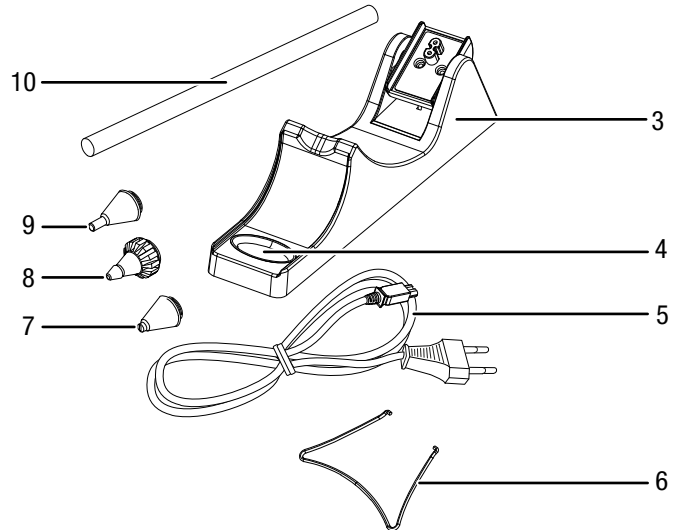
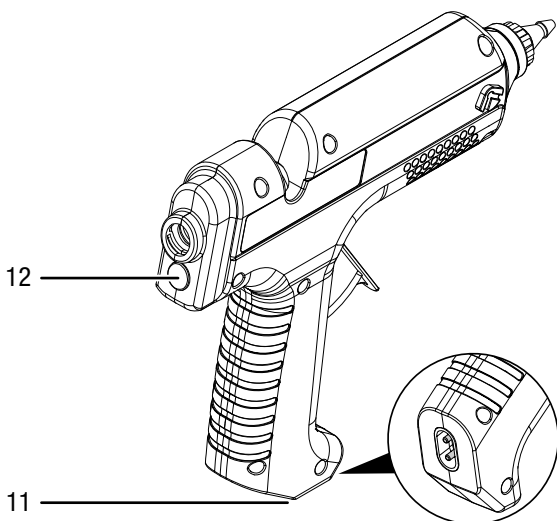
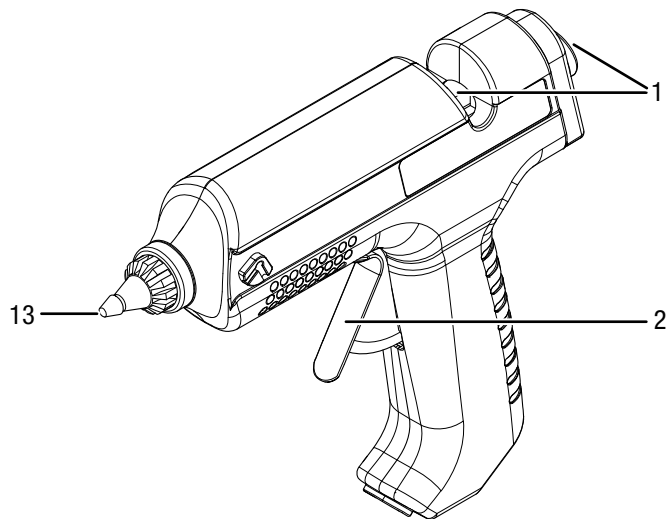
The heat storage system and the detachable cable allow for cordless working.

The heating time is 5 minutes.

The 3 nozzles can be exchanged without any tools in a matter of seconds and are suitable for different fields of application, e.g. for accurate dosing during high-precision work and pinpoint dosing at poorly accessible spots.

The ergonomically shaped handle and the light weight ensure fatigue-free working.

Device depiction



No.	Designation
1	Feed channel
2	Feed trigger
3	Device holder with power connection
4	Drip tray
5	Power cable
6	Wire stand
7	Wide slot nozzle
8	Universal nozzle
9	Fine nozzle
10	Glue stick
11	Socket for power cable
12	Operating light for mains connection
13	Nozzle

Scope of delivery

- 1 x Device PGGGS 10-230V
- 1 x Device holder with drip tray
- 1 x Power cable
- 1 x Universal nozzle
- 1 x Fine nozzle
- 1 x Wide slot nozzle
- 6 x Glue stick, length: 150 mm, diameter: 11 mm
- 1 x Transport case
- 1 x Manual

Technical data

Parameter	Value
Model	PGGS 10-230V
Mains connection	1/N/PE ~ 220 – 240 V / 50 Hz
Power input	25 W (500 W at start-up)
Ambient temperature working	5 °C to 50 °C
Melting point	200 °C
Glue stick	Diameter 11 mm
	Length 150 mm
Heating time	approx. 5 min
Cable length	2 m
Weight	0.3 kg

Transport and storage

Note

If you store or transport the device improperly, the device may be damaged.

Note the information regarding transport and storage of the device.

Transport

For transporting the device, use the transport case included in the scope of delivery in order to protect the device from external influences.

Before transporting the device, observe the following:

- Hold onto the mains plug while pulling the power cable out of the mains socket.
- Allow the device to cool down.

Storage

Before storing the device, observe the following:

- Hold onto the mains plug while pulling the power cable out of the mains socket.
- Allow the device to cool down.
- Clean the device as described in the Maintenance chapter.
- For storing the device, use the transport case included in the scope of delivery in order to protect the device from external influences.

When the device is not being used, observe the following storage conditions:

- Dry and protected from frost and heat
- Ambient temperature below 45 °C
- Protected from dust and direct sunlight inside the transport case

Start-up

Unpacking the device

- Take the transport case out of the packaging.



Warning of electrical voltage

Electric shock due to insufficient insulation!

Check the device for damages and proper functioning before each use.

If you detect damages, do not use the device any longer.

Do not use the device when either the device or your hands are damp or wet!

- Check the scope of delivery for completeness and look for damages.



Warning

Risk of suffocation!

Do not leave the packaging lying around. Children may use it as a dangerous toy.

- Dispose of the packaging material according to the national regulations.

Mounting the wire stand

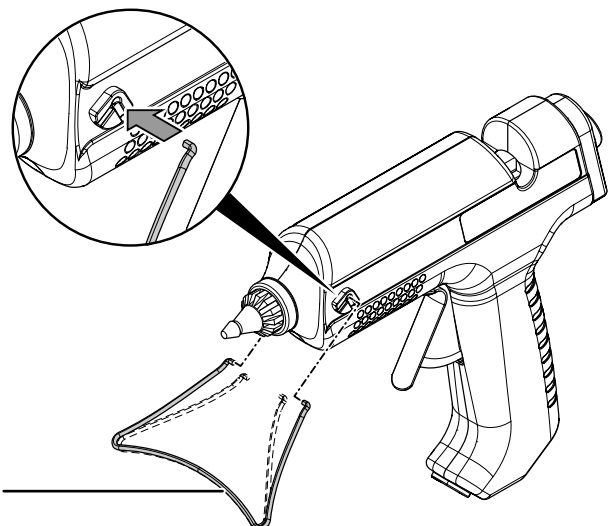


Wear safety glasses

The wire stand may jump away and cause eye injury while being mounted. Wear suitable eye protection.

The wire stand must be attached to the device prior to initial start-up.

1. Pull the ends of the wire stand (6) slightly apart and slide them into the fixture on the left and right side of the device.



2. You can remove the wire stand by pulling it out of the fixture.

Inserting a glue stick

1. Push a glue stick (10) into the feed channel (1).

Connecting the power cable

1. Insert the mains plug into a properly secured mains socket.

Operation

Tips and notes on handling the glue gun

General information:

- Degrease metallic surfaces before gluing. Processing machines often leave oil residues.
- The glue cannot be completely removed from textiles. Due to its high melting point, even hot washing does not remove the glue.
- Moisture can make the glue joint come undone.
- If required, use special glue sticks for different types of material.
- If your skin comes into contact with hot glue, immediately hold the affected area under a jet of cold water for several minutes.
- The materials to be bonded and the surface on which you are working must neither be highly flammable nor combustible.
- When working with heat-sensitive materials, use a sample to test whether the material is suited for hot gluing.

Gluing:

- Apply the glue in zigzag lines when working with flexible materials such as textiles.
- Heat up quickly cooling materials such as steel e.g. using a heat gun to improve the adhesive bonding.
- Briefly press the workpieces together by hand after gluing. A clamping device is not required.
- You can use the device for point gluing or seam gluing.
- Glue joints can be dissolved again by heating.
- Glue residues can easily be removed from the nozzle after the tool has cooled down.
- After cooling, remove the glue residues ideally with a sharp knife.
- The glue joints can be painted.
- Roughen smooth surfaces before gluing.

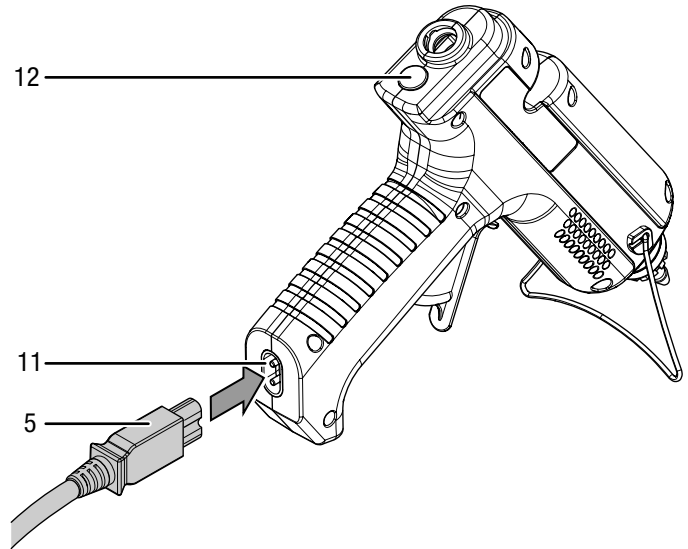
Switching the device on and off

Wear your personal protective equipment when working with the device.

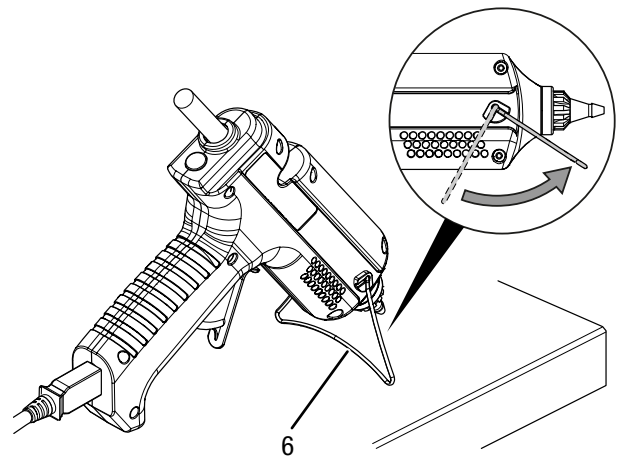
The device allows for both corded and cordless working.

Corded working (continuous operation)

1. Connect the power cable (5) to the socket (11) on the glue gun.
⇒ The operating light (12) is illuminated.



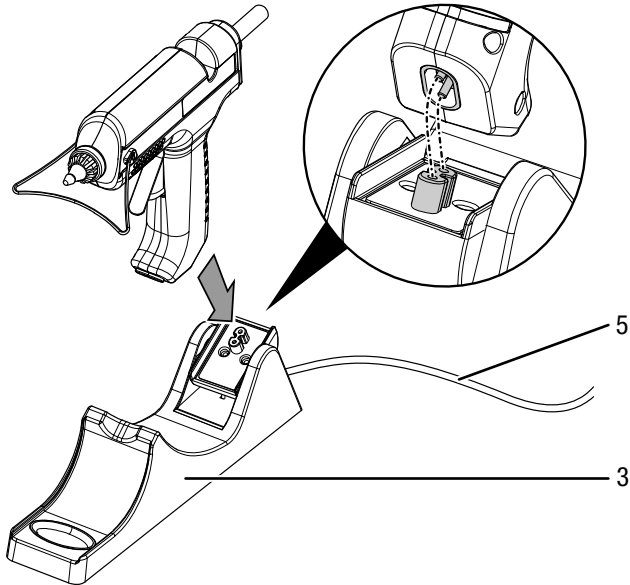
2. Fold out the wire stand (6) and put the glue gun down.



3. Allow the glue gun to heat up for approx. 5 minutes.
⇒ The glue gun is ready for operation.

Cordless working

1. Connect the power cable (5) to the mains connection of the device holder (3).
2. Insert the glue gun into the device holder (3).
⇒ The operating light (12) is illuminated.



3. Allow the glue gun to heat up for approx. 5 minutes.
⇒ The glue gun is ready for operation.
⇒ The integrated heat storage system enables cordless working.
4. If the glue comes out slowly or becomes tough, heat the glue gun again in the device holder.

Exchanging the nozzle



Warning of hot surface



The nozzle might still be hot after use. Burn hazard when touching the nozzle.
Only touch the nozzle by the heat protection cover!
Wear protective gloves!

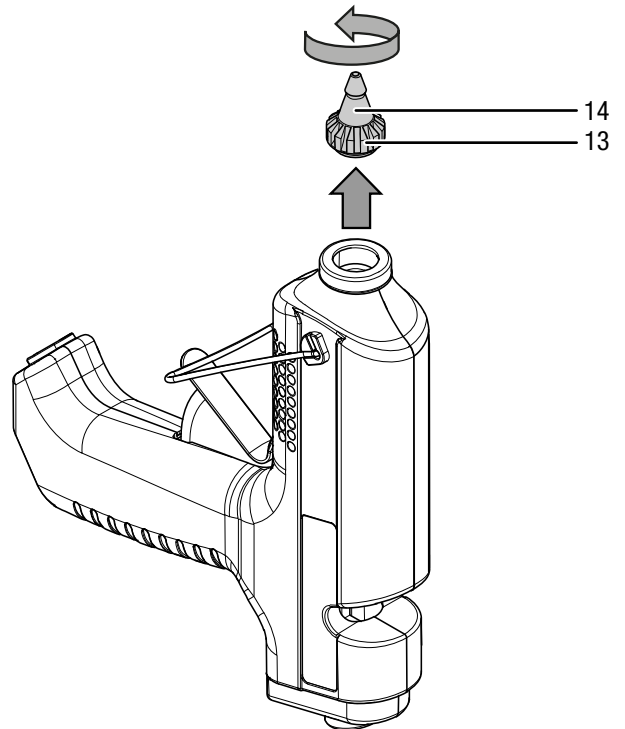


Info

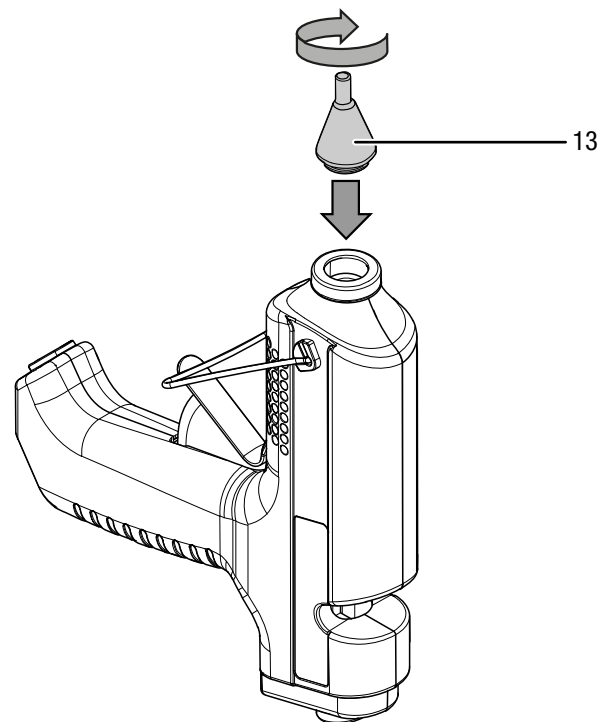
Hold the device vertically with the nozzle pointing up so that no glue can escape.

You can only exchange the nozzle while the device is warm.

1. Heat up the device for approx. 1 to 2 minutes.
2. Unscrew the nozzle (13) at the heat protection cover (14) in the direction of the arrow.



3. Screw on the selected nozzle (13) in the direction of the arrow.



Gluing



Warning of hot surface

The nozzle might still be hot after use. Glue coming out of the nozzle can be hot. Risk of burns. Do not touch the nozzle bare-handed! Wear protective gloves!



Info

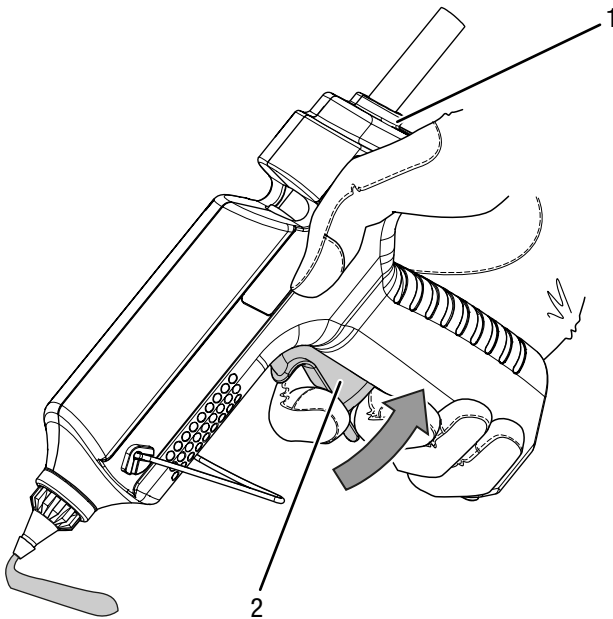
When further glue sticks are pushed in, the device requires a little more time for heating up than during initial use. Hardened glue residues can block the feed channel.



Info

The surfaces to be glued must be clean, dry and free of grease.

1. Allow the glue gun to heat up. Push a glue stick suitable for the material into the feed channel (1) from the rear.
2. Pull the feed trigger (2) to control the flow of glue for the intended task.



3. Apply the glue in dots or lines.
4. Immediately press the two workpieces to be bonded together for approx. 30 seconds.
 - ⇒ After approx. 5 minutes the glue joint will be able to withstand loads.
5. During work breaks, insert the device into the device holder or put it down on the wire stand.

Shutdown



Warning of electrical voltage

Do not touch the mains plug with wet or damp hands.

- Hold onto the mains plug while pulling the power cable out of the mains socket.
- If required, allow the device to cool down.
- Clean the device according to the Maintenance chapter.
- Store the device according to the Transport and storage chapter.

Errors and faults

The device has been checked for proper functioning several times during production. If malfunctions occur nonetheless, check the device according to the following list.

Troubleshooting tasks which require the housing to be opened must only be carried out by an authorized specialist electrical company or by Trotec.

Light smoke or odour is emitted during the first use:

- This is not a fault. These phenomena disappear after a brief runtime.

The device does not start:

- Check the power connection.
- Check the power cable and mains plug for damage. If you notice damages, do not try to take the device back into operation. Order a new spare cable from Trotec and replace the defective power cable with the new one.
- Check the on-site fusing.



Info

Wait for at least 10 minutes before switching the device back on.

The glue stick is not transported:

- The glue stick may be used up or too short. Insert a new glue stick. Only use suitable accessories / glue sticks as specified in the technical data.
- The glue stick diameter may be too large or too small. Only use suitable accessories / glue sticks as specified in the technical data.

The glue stick falls out of the device:

- The glue stick diameter is too small. Only use suitable accessories / glue sticks as specified in the technical data.

Liquid glue comes out of the feed channel:

- The glue stick diameter is too small and / or the melting point of the glue stick is too low. Only use suitable accessories / glue sticks as specified in the technical data.

The glue does not come out evenly:

- The device may not have reached the melting point yet. Allow the device to heat up completely.
- Pull the feed trigger slowly and evenly.

The glue only bonds on one side:

- The glue may have cooled down before you have pressed the workpieces together. Press the workpieces to be bonded together immediately. Heat up quickly cooling materials with a heat gun. Apply the glue in dots if necessary.

The glue comes undone after cooling:

- The surfaces may be greasy, smooth or dusty. You should degrease, roughen or clean the surfaces.
- The material may not be suitable for bonding with hot-melt glue. Use special glue sticks.

Glued tiles in humid environments come loose:

- Moisture penetrates into the glue joints. Use special cement-based glue sticks.

Glued shoe soles come undone:

- Moisture causes the leather to swell. Use special glue sticks.

Glue residues (strands) form:

- The feed trigger is held after gluing is completed. Let go of the feed trigger in time.
- Wipe off the nozzle when lifting it off the workpiece.

The workpiece melts:

- The workpiece consists of heat-sensitive material, e.g. styrofoam, and is not suitable for bonding with hot-melt glue. Use special glue sticks.

You suffer burns on your fingers during gluing:

- The glue may penetrate through paper or textiles. Wear protective gloves when working with the glue gun. If necessary, use a heat-resistant pad, e.g. made of silicone.
- The workpiece consists of metal and may have heated up. Wear protective gloves when working with the glue gun.

Note

Wait for at least 3 minutes after maintenance and repair work. Only then switch the device back on.

The device still does not operate correctly after these checks:

Please contact the customer service. If necessary, bring the device to an authorised specialist electrical company or to Trotec for repair.

Maintenance

Activities required before starting maintenance



Warning of electrical voltage

Do not touch the mains plug with wet or damp hands.

- Hold onto the mains plug while pulling the power cable out of the mains socket.
- Allow the device to cool down completely.



Warning of electrical voltage

Maintenance tasks which require the housing to be opened must only be carried out by authorised specialist companies or by Trotec.

Notes on maintenance

Inside the device, there are no parts that need to be maintained or lubricated by the user.

Cleaning

The device should be cleaned before and after each use.

Note

The device does not have to be lubricated after cleaning.



Warning of electrical voltage

There is a risk of a short-circuit due to liquids penetrating the housing!

Do not immerse the device and the accessories in water. Make sure that no water or other liquids can enter the housing.

- Clean the device with a soft, damp and lint-free cloth. Make sure that no moisture enters the housing. Protect electrical components from moisture. Do not use any aggressive cleaning agents such as cleaning sprays, solvents, alcohol-based or abrasive cleaners to dampen the cloth.
- Dry the device with a soft, lint-free cloth.
- Keep the connecting terminals on the device and device holder clean.

Disposal

Always dispose of packing materials in an environmentally friendly manner and in accordance with the applicable local disposal regulations.



The icon with the crossed-out waste bin on waste electrical or electronic equipment is taken from Directive 2012/19/EU. It states that this device must not be disposed of with the household waste at the end of its life. You will find collection points for free return of waste electrical and electronic equipment in your vicinity. The addresses can be obtained from your municipality or local administration. You can also find out about other return options that apply for many EU countries on the website <https://hub.trotec.com/?id=45090>. Otherwise, please contact an official recycling centre for electronic and electrical equipment authorised for your country.

The separate collection of waste electrical and electronic equipment aims to enable the re-use, recycling and other forms of recovery of waste equipment as well as to prevent negative effects for the environment and human health caused by the disposal of hazardous substances potentially contained in the equipment.

Only for United Kingdom

According to Waste Electrical and Electronic Equipment Regulations 2013 (SI 2013/3113) (as amended) devices that are no longer usable must be collected separately and disposed of in an environmentally friendly manner.

Trotec GmbH

Grebener Str. 7
D-52525 Heinsberg

☎ +49 2452 962-400

☎ +49 2452 962-200

✉ info@trotec.com

www.trotec.com