

**EN**

**OPERATING MANUAL  
HUMIDIFIER**



**Table of contents**

Notes regarding the operating manual..... 2

Safety ..... 2

Information about the device..... 4

Transport and storage..... 5

Assembly and installation..... 6

Operation ..... 8

Available accessories..... 9

Errors and faults ..... 9

Maintenance ..... 10

Technical annex..... 15

Disposal ..... 15

You can download the current version of the operating manual and the EU declaration of conformity via the following link:



B 1 E



<https://hub.trotec.com/?id=41494>

**Notes regarding the operating manual**

**Symbols**



**Warning of electrical voltage**

This symbol indicates dangers to the life and health of persons due to electrical voltage.



**Warning**

This signal word indicates a hazard with an average risk level which, if not avoided, can result in serious injury or death.



**Caution**

This signal word indicates a hazard with a low risk level which, if not avoided, can result in minor or moderate injury.

**Note**

This signal word indicates important information (e.g. material damage), but does not indicate hazards.



**Info**

Information marked with this symbol helps you to carry out your tasks quickly and safely.



**Follow the manual**

Information marked with this symbol indicates that the operating manual must be observed.

**Safety**

**Read this manual carefully before starting or using the device. Always store the manual in the immediate vicinity of the device or its site of use.**



**Warning**

**Read all safety warnings and all instructions.**

Failure to follow the warnings and instructions may result in electric shock, fire and/or serious injury.

**Save all warnings and instructions for future reference.**

This appliance can be used by children aged from 8 years and above and persons with reduced physical, sensory or mental capabilities or lack of experience and knowledge if they have been given supervision or instruction concerning use of the appliance in a safe way and understand the hazards involved.

Children shall not play with the appliance. Cleaning and user maintenance shall not be made by children without supervision.

- Do not use the device in potentially explosive rooms or areas and do not install it there.
- Do not use the device in aggressive atmosphere.
- Only put up the device in an upright, stable position on firm ground.
- Do not expose the device to directly squirting water.
- Fill the device with fresh drinking water only.
- Never insert any objects or limbs into the device.
- Do not cover or transport the device during operation.
- Do not sit on the device.
- This appliance is not a toy! Keep away from children and animals. Do not leave the device unattended during operation.

- Ensure that all electric cables outside of the device are protected from damage (e.g. caused by animals). Never use the device if electric cables or the power connection are damaged!
- The electrical connection must correspond to the specifications in chapter Technical data.
- Insert the mains plug into a properly secured mains socket.
- Observe the device's power input, cable length and intended use when selecting extensions to the power cable. Completely unroll extension cables. Avoid electrical overload.
- Before carrying out maintenance, care or repair work on the device, remove the mains plug from the mains socket. Hold onto the mains plug while doing so.
- Switch the device off and disconnect the power cable from the mains socket when the device is not in use.
- Do not under any circumstances use the device if you detect damages on the mains plug or power cable. If the supply cord is damaged, it must be replaced by the manufacturer, its service agent or similarly qualified persons in order to avoid a hazard.  
Defective power cables pose a serious health risk!
- Make sure that the air inlet and outlet are not obstructed.
- Make sure that the suction side is kept free of dirt and loose objects.
- Do not remove any safety signs, stickers or labels from the device. Keep all safety signs, stickers and labels in legible condition.
- Do not use the device when the water tank is empty.
- Before filling the water tank, switch the device off and disconnect the power cable from the mains socket. Hold onto the mains plug while doing so.
- Only transport the device in an upright position with an emptied water tank.
- Empty the water tank before transport and storage. Do not drink the water. Health hazard!
- Note that high humidity levels may enhance the growth of biological organisms in the environment.
- Make sure that objects in the surroundings of the device do not become wet or damp. If moisture is present, the output must be reduced. If the output cannot be reduced, the device must only be operated in intervals. Absorbent materials such as carpeting, curtains, sheers or tablecloths must not become damp.
- Make sure that the water in the water tank is replaced every 3 days. Otherwise there is a risk of microorganisms growing in the water tank which presents a health hazard if they get into the air or water.

## Intended use

Only use the device B 1 E as a mobile humidifier for the humidification and filtration of room air, while adhering to and following the technical data.

Intended use comprises humidifying the room air in:

- living spaces
- warehouses and archives
- libraries
- call centres and computer rooms

## Improper use

The device is not intended for industrial use.

- Do not place the device on wet or flooded ground.
- Do not place any objects, e.g. clothing, on the device.
- Do not use the device outdoors.
- Any unauthorised modifications, alterations or structural changes to the device are forbidden.
- Any operation other than as described in this manual is prohibited. Non-observance renders all claims for liability and guarantee null and void.

## Personnel qualifications

People who use this device must:


- be aware of the dangers that occur when working with electric devices in damp areas.
- have read and understood the operating manual, especially the Safety chapter.


## Safety signs and labels on the device

### Note

Do not remove any safety signs, stickers or labels from the device. Keep all safety signs, stickers and labels in legible condition.

The following safety signs and labels are attached to the device:

Symbols	Meaning
	This symbol located on the device indicates that the filter has to be checked and, if necessary, to be cleaned prior to each operation. Replace the filter if it is defective. Do not insert a wet filter into the device. Wait until the filter has dried.

Symbols	Meaning
	This symbol located on the device indicates that the water tank should be cleaned every 3 days. Change the water in the water tank every 3 days. Disconnect the device from the mains before cleaning the water tank.

**Residual risks**



**Warning of electrical voltage**

Work on the electrical components must only be carried out by an authorised specialist company!



**Warning of electrical voltage**

Before any work on the device, remove the mains plug from the mains socket!  
Hold onto the mains plug while pulling the power cable out of the mains socket.



**Warning**

Dangers can occur at the device when it is used by untrained people in an unprofessional or improper way! Observe the personnel qualifications!



**Warning**

The device is not a toy and does not belong in the hands of children.



**Warning**

Risk of suffocation!  
Do not leave the packaging lying around. Children may use it as a dangerous toy.



**Caution**

If the device is knocked over, water will leak from the lower part.  
Disconnect the device from the mains to prevent damage to the device caused by dry running.

**Note**

Do not operate the device without an air filter inserted into the air inlet!  
Without the air filter, the inside of the device will be heavily contaminated. This could reduce the performance and result in damage to the device.

**Behaviour in the event of an emergency**

1. Switch off the device.
2. In an emergency, disconnect the device from the mains feed-in: Hold onto the mains plug while pulling the power cable out of the mains socket.
3. Do not reconnect a defective device to the mains.

**Information about the device**

**Description of the device**

The device B 1 E functions as a humidifier and aroma diffuser. The ultrasound technology ensures a pleasant room climate and air quality improvement.

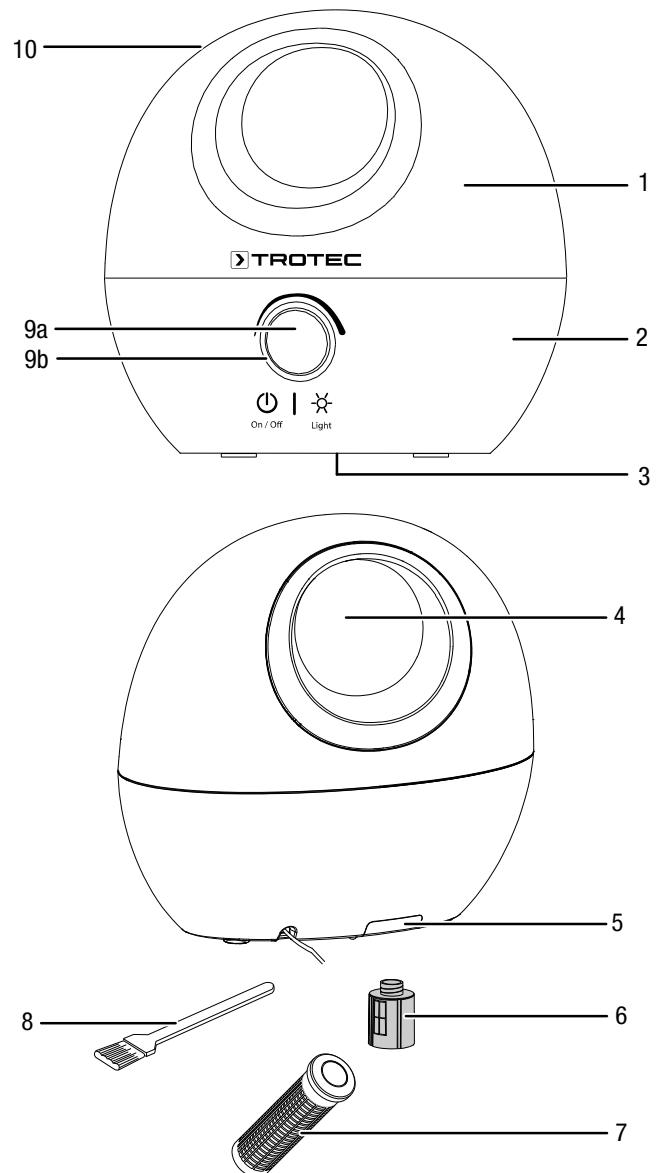
The device is equipped with an integrated scented oil tank and diffuser for optional room air aromatization.

The capacity of the water tank allows for a runtime of up to 15 hours.

When the device is in operation, the water tank can be additionally illuminated by blue LEDs located in the lower part of the device.

The device switches off automatically when the water tank is empty.

**Device depiction**



No.	Designation
1	Top with water tank
2	Bottom section
3	Carbon filter (air filter)
4	Filling level indication
5	Scented oil tank with sponge
6	Filter cartridge with water softener
7	SecoSan® Stick 10 (optional accessory)
8	Brush
9a	On/off switch / rotary switch nebulizer intensity
9b	LED illumination: red = standby (connected to the mains) white = device is switched on / in operation flashes red = water tank is empty or not installed correctly
10	Mist nozzle

## Transport and storage

### Note

If you store or transport the device improperly, the device may be damaged.

Note the information regarding transport and storage of the device.

### Transport

**Before** transporting the device, observe the following:

- Switch off the device.
- Hold onto the mains plug while pulling the power cable out of the mains socket.
- Empty the water tank.
- Do not use the power cable to drag the device.
- Check whether the upper part is correctly positioned on the lower part.
- Lift the device at the lower part.

**After** transporting the device, observe the following:

- Set up the device in an upright position after transport.

### Storage

**Before** storing the device, observe the following:

- Hold onto the mains plug while pulling the power cable out of the mains socket.
- Empty the water tank.
- Empty the lower part.
- Use a cloth to wipe all parts of the device dry.
- Clean the device according to the Maintenance chapter.

When the device is not being used, observe the following storage conditions:

- dry and protected from frost and heat
- in an upright position where it is protected from dust and direct sunlight
- with a cover to protect it from invasive dust, if necessary
- Place no further devices or objects on top of the device to prevent it from being damaged.

## Assembly and installation

### Scope of delivery

- 1 x Device
- 1 x Water softener
- 1 x Brush
- 1 x Manual

### Unpacking the device

1. Open the cardboard box and take the device out.
2. Completely remove the packaging.
3. Fully unwind the power cable. Make sure that the power cable is not damaged and that you do not damage it during unwinding.

### Start-up

- Before restarting the device, check the condition of the power cable. If there are doubts as to the sound condition, contact the customer service.
- Only put up the device in an upright, stable position on firm ground.
- Do not create tripping hazards when laying the power cable or other electric cables, especially when positioning the device in the middle of the room. Use cable bridges.
- Make sure that extension cables are unrolled completely.
- Make sure that there are no moisture-sensitive objects located in the immediate vicinity of the mist nozzle, since water may condense near the mist nozzle.

### Filling the water tank

The water tank should be filled before first use or when the LED at the rotary switch (9b) flashes red.

#### Note

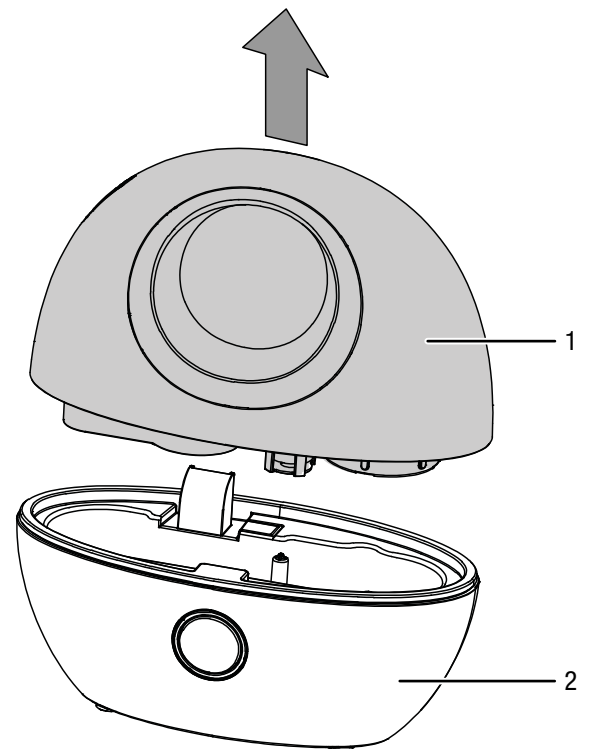
Fill the device with fresh drinking water only. The water temperature must not exceed 40 °C. Scented oil or other additives can damage the plastics and the nebulizer membrane.



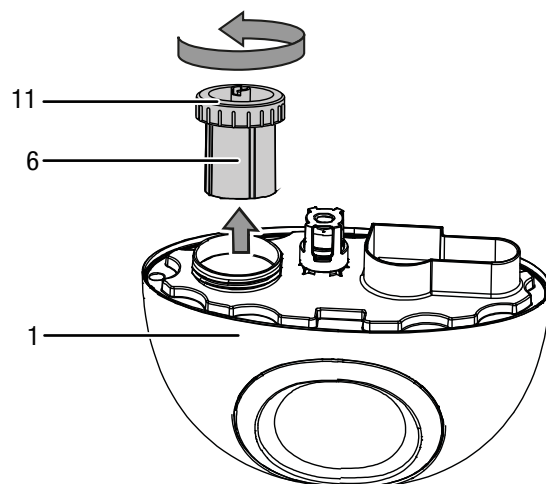
#### Info

If possible, change the water every 3 days to prevent bacterial growth.

1. Remove the top section containing the water tank (1). Note that there may still be residual water left in the lower part (2) if the device was used beforehand.

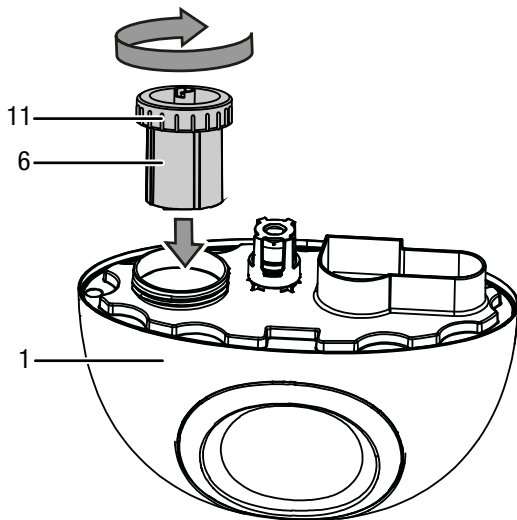


2. Turn over the top section containing the water tank (1).
3. Unscrew the lid (11) of the top section containing the water tank (1). Also remove the filter cartridge with water softener (6) that is mounted to the lid.

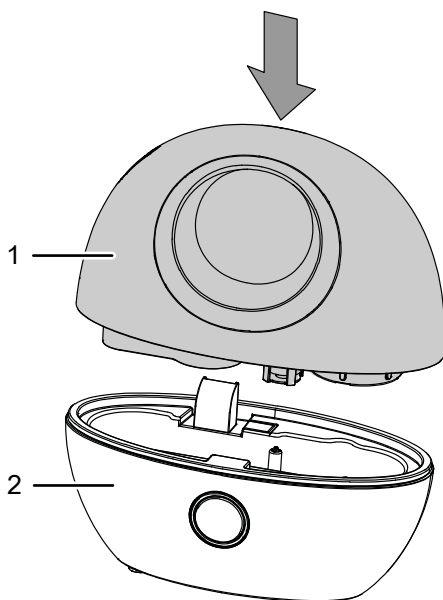


4. Fill fresh drinking water (approx. 3 l, maximally 40 °C) into the water tank.

5. Insert the SecoSan® Stick (optional accessory) (7) into the water tank (1).
6. Screw the lid (11) and the filter cartridge (6) firmly back onto the top section containing the water tank (1).



7. Place the top section with the water tank (1) correctly onto the bottom section (2).  
 ⇒ Please note that after inserting the water tank, the water immediately starts to run into the bottom of the device.



### Scent option

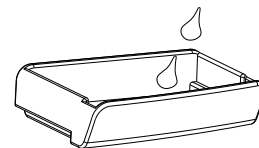
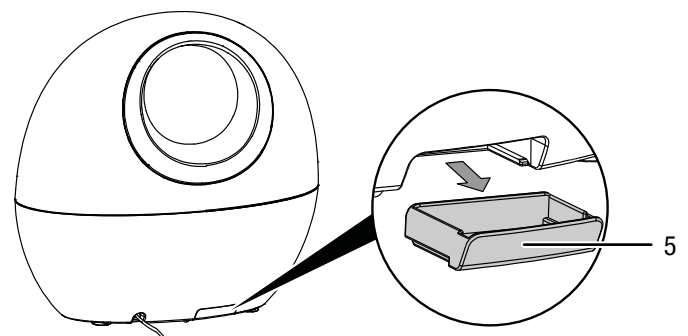
Additionally, the device offers the possibility to distribute a scent during operation.

#### Note

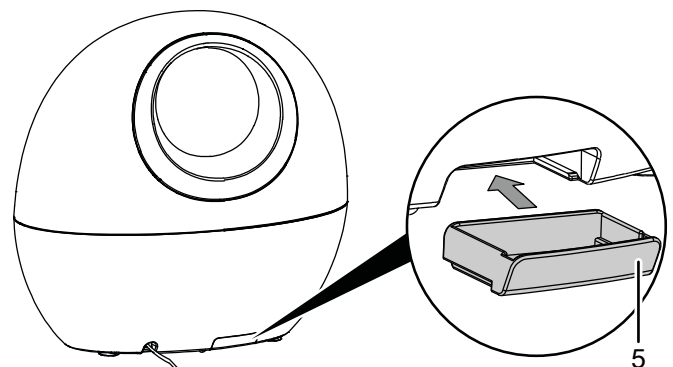
Never put scented oil directly into the scented oil tank, the water tank or on the membrane. Direct contact with scented oil might cause damage to plastic components or other device parts.

Use standard scented oil. Proceed as follows to use the scent option:

- ✓ The device is switched off and the power cable is disconnected from the mains.
1. Remove the scented oil tank (5) from the device.



2. Put 2 to 3 drops of scented oil onto the sponge in the scented oil tank (5)



3. Push the scented oil tank (5) back into the device.

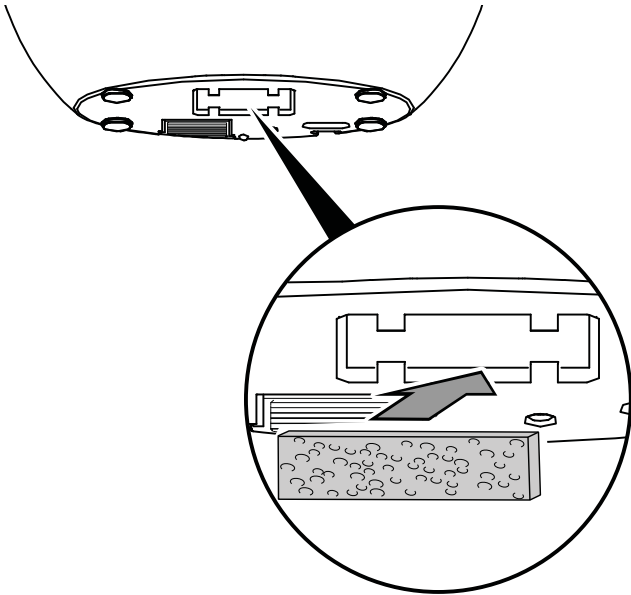
**Inserting the air filter**

**Note**

Do not operate the device without an air filter inserted into the air inlet!

Without the air filter, the inside of the device will be heavily contaminated. This could reduce the performance and result in damage to the device.

- Make sure that the air filter is installed before switching the device on.



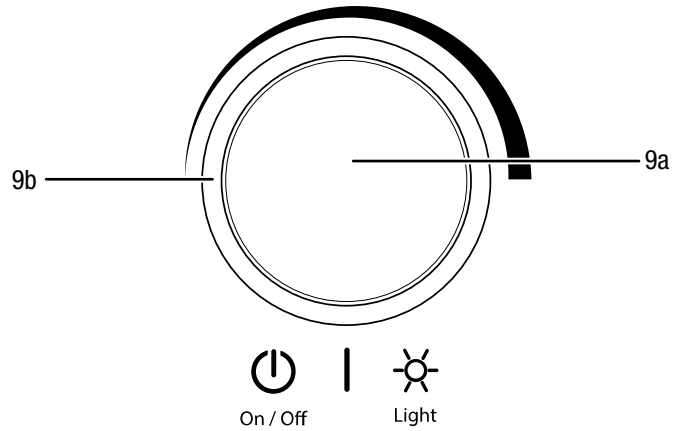
**Connecting the power cable**

- Insert the mains plug into a properly secured mains socket.
- The LED (9b) at the rotary switch is illuminated in red.

**Operation**

- Avoid open doors and windows.

**Operating elements**



No.	Designation
9a	On/off switch / rotary switch nebulizer intensity
9b	Two-coloured LED (red/white)

**Switching the device on**

1. Make sure that the water tank (1) has been filled with drinking water.
2. Make sure that the device is neither damp nor wet on the outside. Otherwise wipe it dry.
3. Press the on/off switch (9a) for approx. 2 s.
  - ⇒ The LED (9b) is illuminated in white.
  - ⇒ The device starts to humidify. Fine water mist leaves the mist nozzle (10).

**Setting the nebulizer intensity**

The nebulizer intensity can be steplessly adjusted as desired.

1. Turn the rotary switch (9a) clockwise to increase the nebulizer intensity or counter-clockwise to reduce the nebulizer intensity.

**Switching illumination on or off**

When the device is in operation, the water tank (1) can be additionally illuminated by two blue LEDs located in the lower part of the device.

1. Press the on/off switch (9a) to switch the illumination on or off.



## Shutdown



### Warning of electrical voltage

Do not touch the mains plug with wet or damp hands.

- Switch the device off by pressing the on/off switch (9a) for approx. 2 s.
- Hold onto the mains plug while pulling the power cable out of the mains socket.
- Empty the water tank.
- Empty the lower part.
- Use a cloth to wipe all parts of the device dry.
- Clean the device according to the Maintenance chapter.
- Store the device according to the Storage chapter.

## Available accessories



### Warning

Only use accessories and additional equipment specified in the operating manual.

Using insertion tools or accessories other than those specified in the operating manual may cause a risk of injury.

Designation	Article number
SecoSan® Stick 10	6.100.004.110

## Errors and faults

The device has been checked for proper functioning several times during production. If malfunctions occur nonetheless, check the device according to the following list.

### The device does not start:

- Check the power connection.
- Check the power cable and mains plug for damage.
- Check the on-site fusing.
- Check whether the water tank indicator light is illuminated. The water tank might be empty and need refilling.
- Wait for 10 minutes before restarting the device. If the device is not starting, have the electrics checked by a specialist company or by Trotec.

### The device is running, but there is no formation of mist:

- Check whether the water tank indicator light is illuminated. The water tank might be empty and need refilling.
- Check the valve in the water tank lid. The valve must be able to move freely. If necessary, clean the water tank.
- Check the float in the lower part of the device. The float should be able to move freely.
- Check the air filter for dirt. If necessary, clean the air filter.
- Check the nebulizer membrane in the lower part of the device for dirt and clean it if required.

### The water tank is full, but the device indicates an empty water tank:

- Heavy deposits on the filter cartridge may prevent the water from flowing from the water tank into the device. This can occur if the device has been out of use for a long time. Rinse the filter cartridge with clear water and, if required, carefully clean the filter at the filter cartridge.
- Check the valve in the water tank lid. The valve must be able to move freely. If necessary, clean the water tank.

### Water is leaking:

- Check whether the device is set up in a stable and upright position.
- Check the water level in the lower part of the device. The water level might be too high and water is discharged via the overflow.
- Check the valve in the water tank lid. The valve must be able to move freely. If necessary, clean the water tank.
- Check the float in the lower part of the device. The float should be able to move freely. It may block and cause water to be discharged via the overflow.
- Check the device for leaks.

### The water mist has a peculiar smell:

- The device is new. Remove and rinse the water tank. Let the open water tank air for some hours.
- Check the water tank. There may be stale or dirty water in the water tank. Rinse the water tank and fill it with fresh drinking water.

### Condensate forms on the device:

- The air circulation in the room is insufficient. If necessary, reduce the nebulizer intensity and provide better air circulation (e.g. using a fan).
- The room's humidity level is quite high. This makes it difficult for the mist to distribute and leads to water condensing on the device. If necessary, reduce the nebulizer intensity or switch off the device.

### The device is loud or vibrates heavily:

- Check whether the device is set up in a stable and upright position.

### Your device still does not operate correctly after these checks?

Please contact the customer service. If necessary, bring the device to an authorised specialist electrical company or to Trotec for repair.

**Maintenance**

**Maintenance intervals**

Maintenance and care interval	before every start-up	as needed	every 3 days	at least every 2 weeks	at least every 4 weeks	at least every 6 months	at least annually
Clean the water tank			X				
Check air inlets and outlets for dirt and foreign objects and clean if necessary	X				X		
Clean the exterior		X					X
Visually check the inside of the device for dirt		X					X
Check the air filter for dirt and foreign objects and clean or replace if necessary	X			X			
Replace the air filter						X	
Check for damage	X						
Check attachment screws		X					X
Test run							X

**Maintenance and care log**

Device type: .....

Device number: .....

Maintenance and care interval	1	2	3	4	5	6	7	8	9	10	11	12	13	14	15	16
Clean the water tank																
Check air inlets and outlets for dirt and foreign objects and clean if necessary																
Clean the exterior																
Visually check the inside of the device for dirt																
Check the air filter for dirt and foreign objects and clean or replace if necessary																
Air filter replacement																
Check for damage																
Check attachment screws																
Test run																

1. Date: ..... Signature: .....	2. Date: ..... Signature: .....	3. Date: ..... Signature: .....	4. Date: ..... Signature: .....
5. Date: ..... Signature: .....	6. Date: ..... Signature: .....	7. Date: ..... Signature: .....	8. Date: ..... Signature: .....
9. Date: ..... Signature: .....	10. Date: ..... Signature: .....	11. Date: ..... Signature: .....	12. Date: ..... Signature: .....
13. Date: ..... Signature: .....	14. Date: ..... Signature: .....	15. Date: ..... Signature: .....	16. Date: ..... Signature: .....

## Activities required before starting maintenance



### Warning of electrical voltage

Do not touch the mains plug with wet or damp hands.

- Switch the device off.
- Hold onto the mains plug while pulling the power cable out of the mains socket.



### Warning of electrical voltage

**Tasks which require the housing to be opened must only be carried out by authorised specialist companies or by Trotec.**

## Safety signs and labels on the device

Check the safety signs and labels attached to the device at regular intervals. Replace illegible safety signs!

## Cleaning the housing

Clean the housing with a soft, damp and lint-free cloth. Ensure that no moisture enters the housing. Protect electrical components from moisture. Do not use any aggressive cleaning agents such as cleaning sprays, solvents, alcohol-based or abrasive cleaners to dampen the cloth.

## Cleaning the water tank

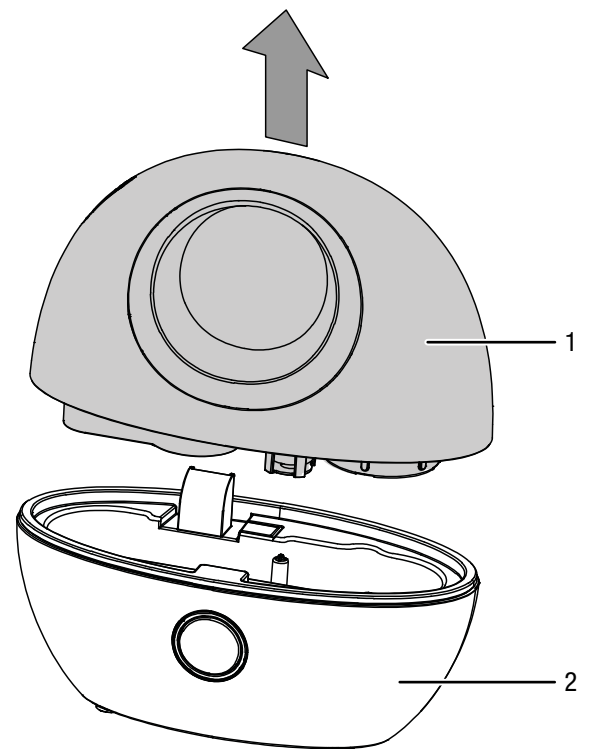


### Info

Use the SecoSan® Stick by Trotec to provide protection from germs in the water. The SecoSan® Stick prevents the reproduction of germs by means of silver ions. Due to the special, antimicrobial surface, the silver ions are emitted to the immediate proximity of bacteria and germs. This way, microbial growth can be effectively prevented – at the same time, the water remains pure and uncontaminated. The dosage of the SecoSan® Stick is carried out automatically.

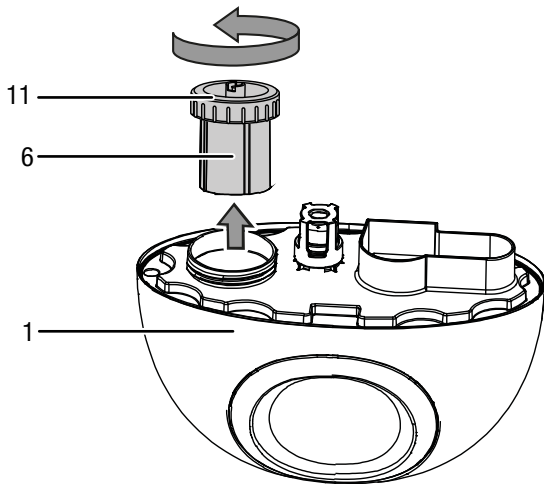
The water tank should be cleaned every 3 days if actively used. Use household vinegar as cleaning/descaling agent. Observe the manufacturer's specifications and hazard warnings of the descaling agent. Before a longer period of non-use or storage the water tank should be drained.

1. Remove the top section containing the water tank (1). Please note that there may still be residual water left in the bottom section if the device was used beforehand.



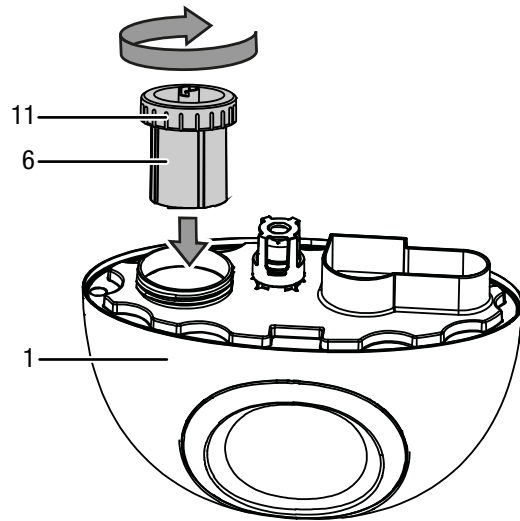
2. Turn over the water tank (1).

3. Unscrew the lid (11) with screwed on filter cartridge (6).

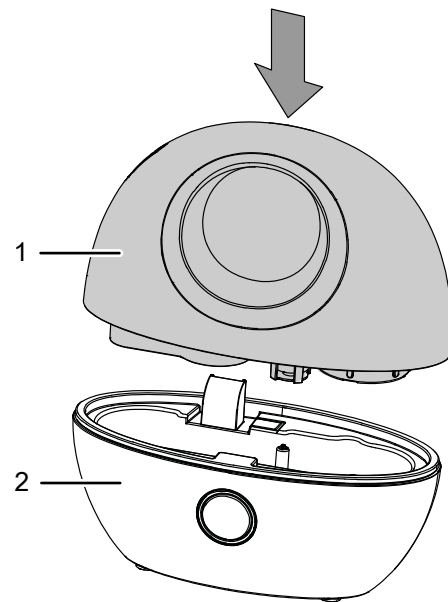


4. Drain the residual water from the water tank (1).  
 5. Take the SecoSan® Stick out of the water tank (1).  
 6. Thoroughly rinse the water tank with household vinegar (descaling agent).  
 7. Thoroughly rinse the water tank and the SecoSan® Stick with clear water.  
 8. Allow the water tank (1) to dry.  
 9. Clean the inside of the bottom section and the mist nozzle with household vinegar (descaling agent) and then use a lint-free cloth to wipe the parts dry.  
 For cleaning the nebulizer membrane, see chapter Cleaning the nebulizer membrane.  
 10. Insert the SecoSan® Stick into the water tank (1).  
 11. Fill the water tank (1) with fresh drinking water.  
 12. If required, screw the filter cartridge with water softener (6) onto the lid.

13. Screw the lid (11) firmly back onto the water tank (1).



14. Place the top section with the water tank (1) correctly onto the bottom section (2).

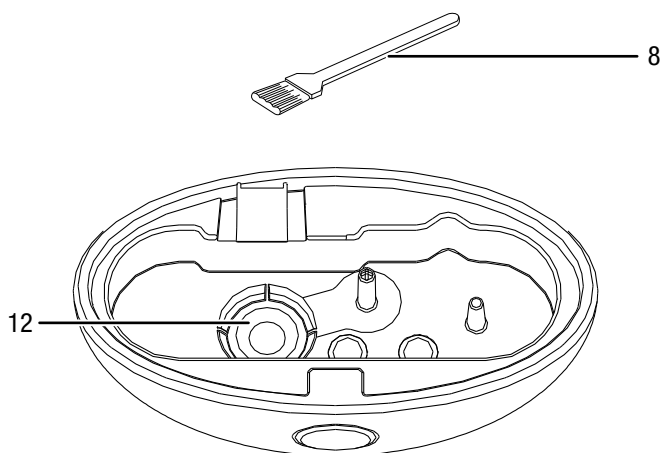


## Cleaning the nebulizer membrane

Depending on the hardness of the drinking water used, deposits may form on the nebulizer membrane over time. These could affect the nebulizer performance. Therefore, the nebulizer membrane should be cleaned on a regular basis.

To do so, please proceed as follows:

1. Remove the water tank (1) as described in *Cleaning the water tank*.
2. Remove any residual water from the inside of the device.
3. Wet the nebulizer membrane (12) with household vinegar (descaling agent).
4. Let the descaling agent act for approx. 2 to 5 min.
5. Remove the deposits from the nebulizer membrane (12) using the brush (8).



6. Rinse the inside of the device with clear water.
7. Refit the water tank (1) as described in *Cleaning the water tank*.

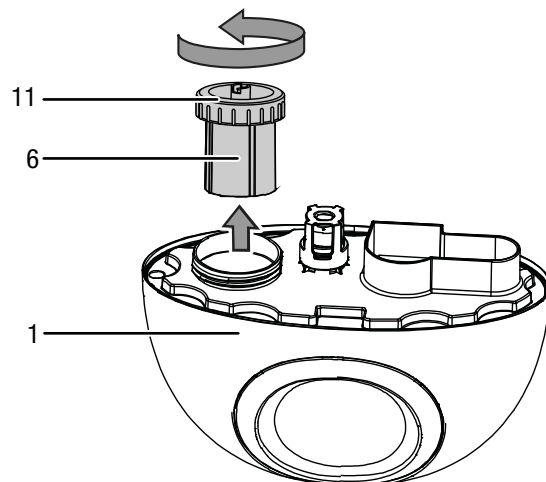
## Regenerating the water softener

Depending on the hardness of the water, the water softener must be regenerated approx. once per month.

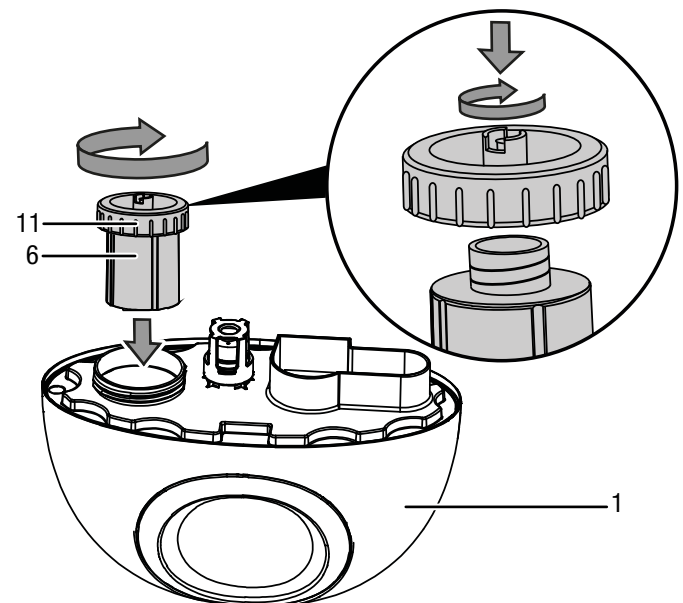
To do so, please proceed as follows:

1. Remove the water tank (1) as described in *Cleaning the water tank*.

2. Unscrew the lid (11) from the water tank (1).



3. Unscrew the filter cartridge (6) from the lid (11).
4. Provide a vessel containing saturated saline solution.
5. Place the filter cartridge into the vessel containing saline solution. Make sure that the filter cartridge is completely covered by the saline solution.
6. Leave the filter cartridge in the saline solution for 24 h.
7. Take the filter cartridge out of the saline solution after 24 h.
8. Rinse the filter cartridge with clear water.
9. Screw the filter cartridge (6) back onto the lid (11).

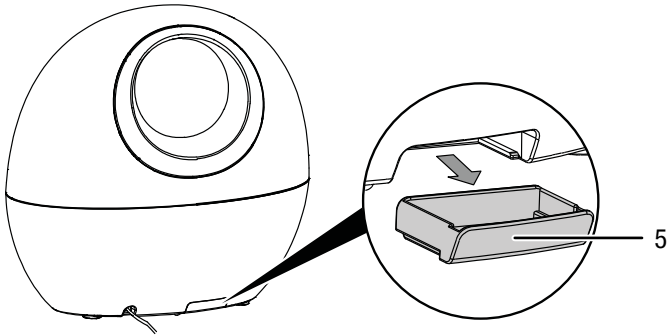


10. Screw the lid (11) firmly back onto the water tank (1).
11. Refit the water tank (1) as described in *Cleaning the water tank*.

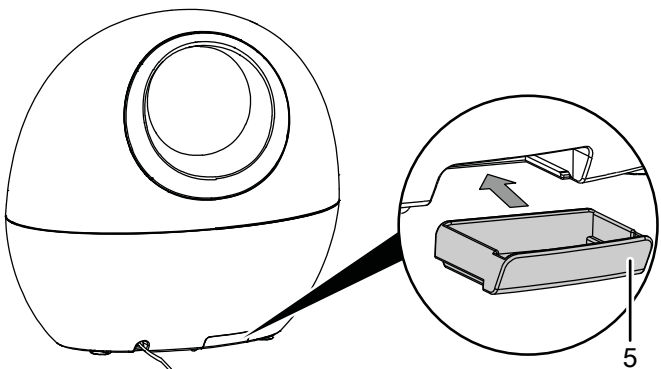
### Cleaning the scented oil tank

The scented oil tank should be cleaned on a regular basis.

1. Remove the scented oil tank (5) from the device.



2. Rinse the scented oil tank and the sponge with clear water. If required, you can use a mild cleaning agent for the scented oil tank.
3. Use a cloth to wipe the scented oil tank dry.
4. Allow the sponge to dry.
5. Push the scented oil tank (5) with the sponge back into the device.



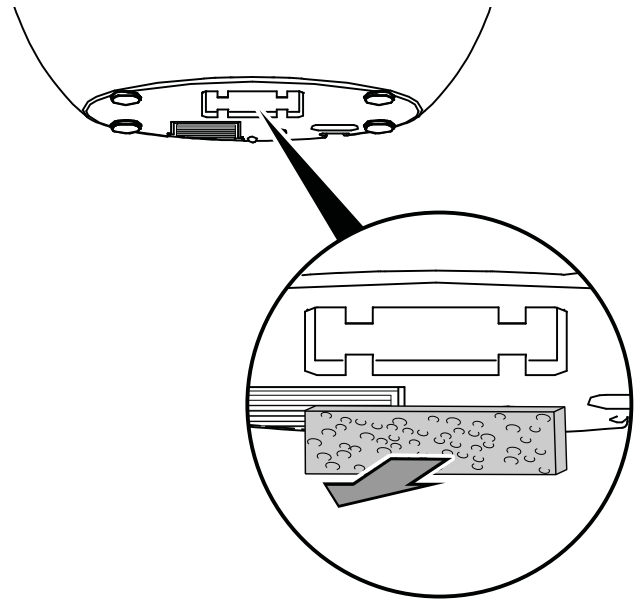
### Cleaning the air filter

**Note**

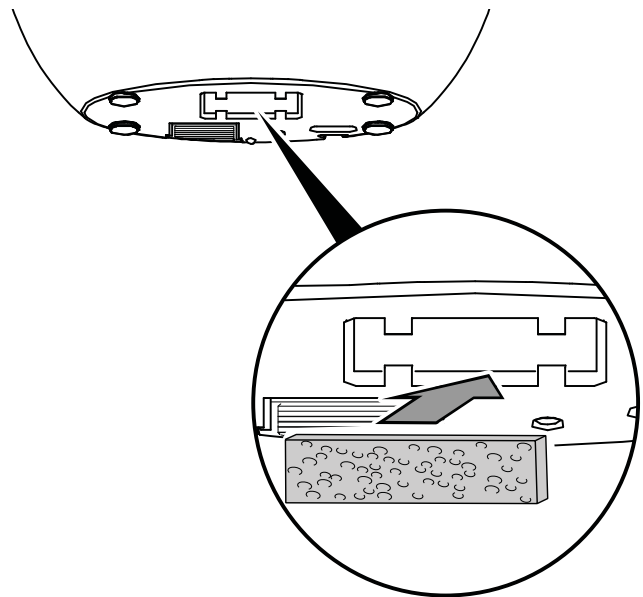
Ensure that the air filter is not worn or damaged. The corners and edges of the air filter must not be deformed or rounded. Before reinserting the air filter, make sure that it is undamaged and dry!

The air filter has to be cleaned as soon as it is dirty. This is brought to light e.g. by a reduced capacity (see chapter Errors and faults).

1. Remove the air filter from the device.



2. Rinse the filter with warm water.
3. Allow the filter to dry completely. Do not insert a wet filter into the device!
4. Reinsert the air filter into the device.



### Activities required after maintenance

If you want to continue using the device:

- Reconnect the device to the mains.

If you do not intend to use the device for a considerable time:

- Store the device according to the Storage chapter.

## Technical annex

### Technical data

Parameter	Value
<b>Model</b>	<b>B 1 E</b>
Nebulizer performance	200 ml/h
Runtime	15 h
Power consumption	24 W
Mains connection	220 V – 240 V / 50 Hz – 60 Hz
Nominal current consumption	0.1 A
Plug type	CEE 7/16
Cable length	1.5 m
Sound pressure level (1 m distance)	38 dB (A)
Water tank capacity	3 l
Weight	1.5 kg
Dimensions (length x width x height)	160 x 301 x 278 (mm)

### Disposal



The icon with the crossed-out waste bin on waste electrical or electronic equipment stipulates that this equipment must not be disposed of with the household waste at the end of its life. You will find collection points for free return of waste electrical and electronic equipment in your vicinity. The addresses can be obtained from your municipality or local administration. For further return options provided by us please refer to our website <https://de.trotec.com/shop/>.

The separate collection of waste electrical and electronic equipment aims to enable the re-use, recycling and other forms of recovery of waste equipment as well as to prevent negative effects for the environment and human health caused by the disposal of hazardous substances potentially contained in the equipment.

Trotec GmbH

Grebener Str. 7  
D-52525 Heinsberg

☎ +49 2452 962-400

☎ +49 2452 962-200

✉ [info@trotec.com](mailto:info@trotec.com)

[www.trotec.com](http://www.trotec.com)